

# Final report

## 1. Project details

<b>Project title</b>	Metoder til effektiv udnyttelse af værksinterne varmekilder med varmepumper
<b>File no.</b>	64018-0597
<b>Name of the funding scheme</b>	Energiteknologisk Udviklings- og Demonstrations Program (EUDP)
<b>Project managing company / institution</b>	EMD International A/S
<b>CVR number</b> (central business register)	27491529
<b>Project partners</b>	Aalborg Universitet, Dansk Gasteknisk Center, Dansk Fjernvarme/Grøn Energi
<b>Submission date</b>	23-01-2021

## 2. Summary

### Summary in English:

In this project is developed a new methodology in energyPRO, that allows modelling energy systems with simultaneous production and consumption of heat at different temperatures. Using this methodology, it is e.g., possible to model a heat pump that simultaneously cool and heat the return water from the district heating grid. This can be modelled in combination with a thermal storage tank, where the heat pump consumes water from the middle of the storage, cools the bottom of the storage and produce hot water to be delivered to the top of the storage or directly to the district heating grid. The cooled water can be used to increase the efficiency of temperature dependent energy conversion units such as flat plate solar collectors or woodchip boilers. EnergyPRO is thereby capable of modelling and optimizing the operation of such energy systems, using a new state-of-the-art mixed-integer linear programming (MILP) method. In the project the methodology is used to analyse the business-economic potential of operating the heat pump using internal heat sources in addition to an external heat source at a typical Danish district heating plant. The concept is explored in combination with respectively a woodchip boiler and solar collector. The analysis shows that operation of the heat pump with internal heat sources has the potential to reduce the operation costs of the plant. This is especially true in combination with solar heating, where the solar fraction is increased from 22% to 30%. This added solar collector production is occurring throughout almost the entire year and allows substantial increases in production during the colder part of the year.

## Summary på dansk:

I dette projekt er energyPRO udviklet til at modellere energisystemer, hvor varmt vand samtidigt produceres og forbruges ved forskellige temperaturer. Dette muliggør modellering af varmelagre med flere temperaturlag, samt modellering af varmepumper der anvender værksinterne varmekilder. Ved hjælp af en implementeret MILP-metode er energyPRO blevet i stand til at finde den optimale drift af sådan et energisystem. Det selskabsøkonomiske potentiale ved drift af en varmepumpe med værksinterne varmekilder er undersøgt på et typisk fjernvarmeværk i kombination med henholdsvis en fliskedel og et solvarmeanlæg. Resultaterne af analysen viser, at drift af varmepumpen med værksinterne varmekilder kan reducere driftsomkostningerne for fjernvarmeværket. Den største synergi er at finde i forbindelse med et solvarmeanlæg, hvor køleeffekten fra varmepumpen kan forøge solvarmeanlæggets produktion fra 22% til 30% af den årlige varmeproduktion sammenlignet med reference uden drift med værksinterne varmekilder. Den koldere indløbstemperatur og kolde udløbstemperatur i solvarmeanlægget muliggør desuden varmeproduktion på selv kolde vinterdage, hvor solvarmeanlægget normalt er ude af drift. Der er foretaget en række følsomhedsanalyser, der viser, at investeringen, der muliggør drift med værksinterne varmekilder, er en robust investering både i kombination med en fliskedel og et solvarmeanlæg. Potentialet falder dog markant for fjernvarmesystemer med fremløbs- og returtemperaturer lavere end 80/40°C. Reduktionen i omkostningerne leder i det bedste tilfælde til en 160 kr/år lavere varmeomkostning for en typisk husstand.

## Contents

<b>1. Project details</b> .....	<b>1</b>
<b>2. Summary</b> .....	<b>1</b>
<b>3. Project objectives</b> .....	<b>3</b>
<b>4. Project implementation</b> .....	<b>3</b>
<b>5. Project results</b> .....	<b>4</b>
5.1 Metode til beregning af flere temperaturniveauer i energyPRO .....	5
5.1.1 Modelling procedure .....	7
5.1.2 Thermal storage and heat pump .....	7
5.1.3 Solar collectors .....	10
5.1.4 Woodchip boiler with a condenser.....	11
5.1.5 Heat demand .....	13
5.1.6 Optimizing the operation and getting the results .....	13
5.2 Modifying the model.....	14
5.2.1 Adding built-in units to the model .....	14
5.2.2 Changing the temperatures .....	14
5.2.3 Changing the thermal storage capacity .....	14
5.2.4 Relating the COP to a variable external condition.....	14
5.2.5 Adding costs for producing heat and consuming fuels and electricity.....	15
5.3 Effektiviseringspotentiale ved intern drift af elvarmepumpe .....	15
5.3.1 Introduktion til analysen .....	15
5.3.2 Metode og forudsætninger .....	16

5.3.3 Fjernvarmeværket.....	16
5.3.4 Ekstern og intern varmepumpedrift .....	16
5.3.5 Scenarier .....	17
5.3.6 Fliskedel og ekstra røggaskondensering.....	17
5.3.7 Udnyttelse af koldt vand i solvarmeanlæg.....	18
5.3.8 Investeringsomkostninger til intern drift.....	20
5.3.9 Beregning af nutidsværdi og varmeproduktionspriser .....	21
5.3.10 Resultater fra energyPRO simuleringer.....	23
5.3.11 Fliskedel.....	23
5.3.12 Solvarme.....	25
5.3.13 Fleksibilitet gennem variable tariffer .....	30
5.3.14 CO <sub>2</sub> -belastning for solvarmescenariet.....	31
5.3.15 Følsomhedsanalyser af scenarierne .....	32
5.3.16 Opsummering af analysens resultater .....	37
<b>6. Project conclusion and perspective .....</b>	<b>39</b>
<b>7. References .....</b>	<b>40</b>
<b>8. Appendices .....</b>	<b>41</b>

### 3. Project objectives

In this project is developed a new methodology in energyPRO, that allows modelling energy systems with simultaneous production and consumption of heat at different temperatures. Using this methodology, it is e.g., possible to model a heat pump that uses internal heat sources to simultaneously cool and heat the re-turn water from the district heating grid. This can be modelled in combination with a thermal storage tank, where the heat pump cools the bottom of the storage to produce hot water to be delivered to the top of the storage or directly to the district heating grid. The cooled water can be used to increase the efficiency of temperature dependent energy conversion units such as flat plate solar collectors or woodchip boilers.

### 4. Project implementation

- *How did the project evolve?*
- *Describe the risks associated with conducting the project.*
- *Did the project implementation develop as foreseen and according to milestones agreed upon?*
- *Did the project experience problems not expected?*

The project was scheduled to be made 1. January 2019 to 1. July 2020 by the partners EMD International A/S, Danish Association of District Heating Association (Dansk Fjernvarme/Grøn Energi), Danish Gastechanical Center (Dansk Gasteknisk Center) and Aalborg University. The first year was before Corona Lock Down, where Kick Off-meeting and project meetings between the partners was made as physical meetings. However, due to the Corona Lock Down, the project was prolonged until 31. December 2020, to allow for dissemination of results at a physical workshop held by Dansk Fjernvarme. At the end of the project, it is still not possible to make physical workshops, therefore the results have been dissemination at the homepage of Dansk Fjernvarme, <https://www.danskfjernvarme.dk/groen-energi/nyheder/210122-interne-varmekilder-kan-effektiviseres-med-en-varmepumpe>, where a physical workshop will be held later on.

The project has evolved like planned and the project objectives has been reached as planned. Besides the reduced dissemination, a software development project like this has been possible to complete, even if Corona Lock Down.

## 5. Project results

In this project is developed a new methodology in energyPRO, that allows modelling energy systems with simultaneous production and consumption of heat at different temperatures. Using this methodology, it is e.g., possible to model a heat pump that simultaneously cool and heat the return water from the district heating grid. This can be modelled in combination with a thermal storage tank, where the heat pump consumes water from the middle of the storage, cools the bottom of the storage and produce hot water to be delivered to the top of the storage or directly to the district heating grid. The cooled water can be used to increase the efficiency of temperature dependent energy conversion units such as flat plate solar collectors or woodchip boilers. EnergyPRO is thereby capable of modelling and optimizing the operation of such energy systems, using a new state-of-the-art mixed-integer linear programming (MILP) method. In the project the methodology is used to analyse the business-economic potential of operating the heat pump using internal heat sources in addition to an external heat source at a typical Danish district heating plant. The concept is explored in combination with respectively a woodchip boiler and solar collector. The analysis shows that operation of the heat pump with internal heat sources has the potential to reduce the operation costs of the plant. This is especially true in combination with solar heating, where the solar fraction is increased from 22% to 30%. This added solar collector production is occurring throughout almost the entire year and allows substantial increases in production during the colder part of the year.



The screenshot shows the website for Dansk Fjernvarme. The header includes the logo and navigation links: Medlemmer, Kurser, Arrangementer, Viden, and Vi mener. Below the header, there is a news article dated 22. JAN 2021 with the title "Interne varmekilder kan effektiviseres med en varmepumpe". The article text reads: "Grøn Energi har bidraget til et EUDP-projekt, der ser på, hvordan elvarmepumper kan bidrage til interne effektiviseringer på fjernvarmeværker."



## 5.1 Metode til beregning af flere temperaturniveauer i energyPRO

To do calculations on energy systems with water at multiple temperature levels, the flow of water is modelled rather than the flow of energy. However, the model needs to be able to accept a mixture of both flow of water and flow of energy, such that a heat demand for example can be specified in MWh, while the content of the storage tank can be specified in m<sup>3</sup>. For this purpose, conversion factors between volume and energy need to be defined. The following methodology takes departure in an energy system with three temperature levels, but the same concept applies to models with additional temperature levels.

The three temperatures in the energy system are defined by the constants:

- $T_{hot}$
- $T_{warm}$
- $T_{cold}$

The energy required to heat 1 m<sup>3</sup> of water from  $T_{cold}$  to  $T_{hot}$  is then calculated as:

$$E_{hot} = c_p \cdot (T_{hot} - T_{cold}) \cdot m$$

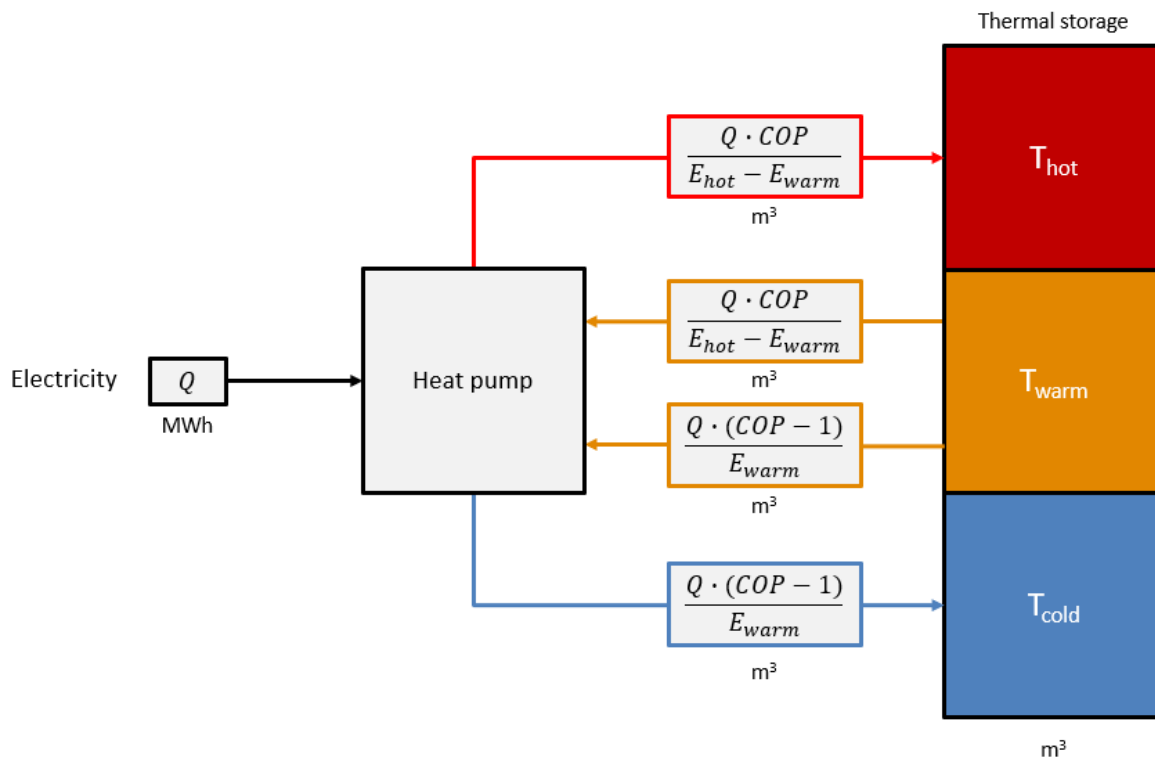
where  $c_p$  is the specific heat capacity of water and  $m$  is the mass of 1 m<sup>3</sup> of water. Choose the corresponding units in the calculation, such that the constant converts to the desired energy unit, for example MWh. In the same manner, the energy required to heat 1 m<sup>3</sup> of water from  $T_{cold}$  to  $T_{warm}$  is then calculated as:

$$E_{warm} = c_p \cdot (T_{warm} - T_{cold}) \cdot m$$

For an energy system with three temperature levels, only these two constants are needed, as the energy required to heat 1 m<sup>3</sup> of water from  $T_{warm}$  to  $T_{hot}$  can then be calculated as:

$$E_{hot} - E_{warm}$$

It is now possible to model a heat pump utilizing internal heat sources. This heat pump simultaneously uses the water at  $T_{warm}$  as both the heat source and heat sink. Given an electric capacity,  $Q$ , and a coefficient of performance,  $COP$ , the flow of water can be calculated as shown in the figure below:



**Figure 1.1:** A model of a heat pump utilizing internal heat sources. The three regions of the storage are measured in  $m^3$ , as well as the flows of water in and out of the heat pump at different temperatures. However, the electricity consumed by the heat pump is defined in MWh or another desired energy unit.

Using this approach, the total volume of the thermal storage always remains the same, as equal volumes of water are removed and inserted in the storage across the different temperature regions. This is valid under the assumption, that the specific heat capacity of the fluid remains constant.

Most likely, the demand for heat to be delivered to the district heating grid is measured in energy units such as MWh. In an energy system where the forward temperature is equal to  $T_{hot}$  and the return temperature is equal to  $T_{warm}$ , the volumes of water can be converted back into energy units, using the same constants as before. Removing  $1 m^3$  water at  $T_{hot}$  and delivering it back at  $T_{warm}$  is the same as consuming an amount of energy equal to  $(E_{hot} - E_{warm})$ .

Using this calculation methodology, all sorts of energy conversion units can be introduced to the model, such as boilers with flue gas condensation and solar collectors operating at different temperature levels depending on solar irradiation.

It is possible to optimize the operation of these energy systems in energyPRO using the MILP calculation method only.

### 5.1.1 Modelling procedure

This section will walk you through how to model such an energy system using energyPRO. Open a new and empty energyPRO project. The first step of the modelling procedure is to set the calculation module to "OPERATION". Go to "Project setup" → "Project identification" and click the radio button.

Next, go to "Advanced settings" and toggle the checkbox "Fuel producing energy units in project". This allows modelling of fuels in energyPRO. The heat at different temperatures is defined as different fuels.

While you are here, also check "Delivery of both heat and process heat" but uncheck "Process Heat" further down. This allows the heat pump to produce heat at two different temperatures at the same time, which is required to model a heat pump utilizing internal heat sources.

### 5.1.2 Thermal storage and heat pump

First, we define the desired parameters. These are added in energyPRO as time series functions. Define the following constants, using the calculation methodology previously explained:

- $T_{hot}$  [°C]
- $T_{warm}$  [°C]
- $T_{cold}$  [°C]
- $E_{hot}$  [MWh/m<sup>3</sup>]
- $E_{warm}$  [MWh/m<sup>3</sup>]

Furthermore, add the following constants, specifying the parameters of the heat pump.

- Electric capacity of heat pump [MW-e]
- Internal COP
- External COP

The COP does not necessarily have to be a constant - it can also be a function. The COP can for example be modelled as a Lorentz-COP relying on external conditions such as the temperature of ambient air. This is done using formulas in the time series functions.

Now, to model multiple temperatures in energyPRO, the water at each temperature level is added as a fuel, as shown in the figure below.



**Figure 1.2:** Modelling multiple temperatures of water as fuels.

To model a heat pump that can operate with both external and internal heat sources, we are going to add two energy conversion units. Both energy conversion units should be a “User Defined Unit”.

We start by modelling the external operation mode of the heat pump. Open the properties of one of the user defined units and set the “Fuel input” to the warm water and the “Fuel output” to the hot water. Enable the checkbox “Enable formulas in power curve” and specify the “Fuel input” and “Fuel output” formulas as following:

$$HP\_cap(\_) * COP\_external(\_) / (E\_hot(\_) - E\_warm(\_))$$

Here, the variable  $HP\_cap(\_)$  refers to the electric capacity of the heat pump. In the field “Elec. consump.” enter the formula:

$$HP\_cap(\_)$$

Go to the “Operational” tab and check “Partial load allowed” and “Operation dependent on other unit”. Choose that the operation is only allowed when no production is occurring on the other heat pump. In this manner, the heat pumps are modelled as the same physical unit with two distinct operation modes.

Next, we model the internal operation mode of the heat pump. Open the properties of the other user defined unit and set “Fuel input” to the warm water and the “Fuel output” to the hot water again. Apply the same settings as before under “Operational”. In the power curve field for “Fuel input” enter the following formula:

$$HP\_cap(\_) * COP\_internal(\_) / (E\_hot(\_) - E\_warm(\_)) \\ + HP\_cap(\_) * (COP\_internal(\_) - 1) / (E\_warm(\_))$$

In the “Fuel output” field enter the following:



$$HP\_cap(\_) * COP\_internal(\_) / (E\_hot(\_) - E\_warm(\_))$$

In the "Process Heat" field enter the following:

$$HP\_cap(\_) * (COP\_internal(\_) - 1) / (E\_warm(\_))$$

In the "Elec. consump." field enter the following:

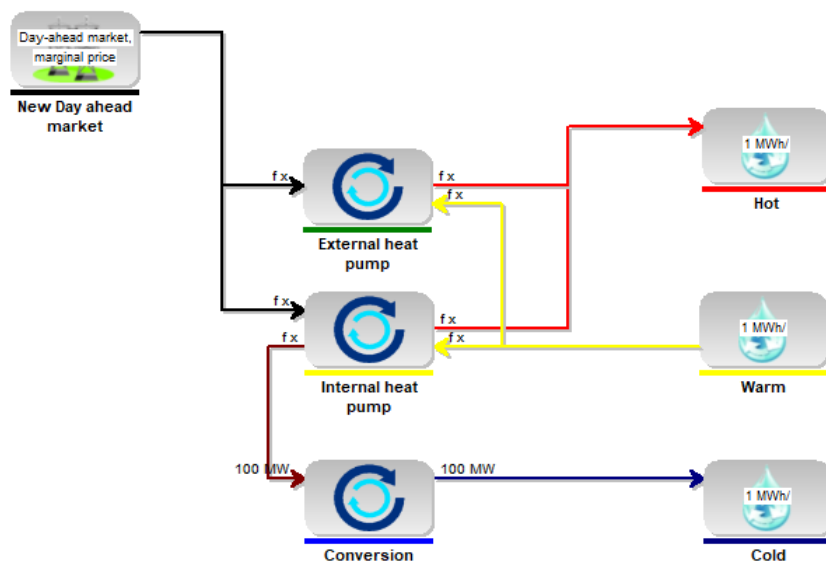
$$HP\_cap(\_)$$

For the heat pumps to work, add a time series for the electricity price and then add a new electricity market to the model.

Then add a new "User Defined Unit". Set the "Fuel output" to the cold water and set the power curve field "Proc. Heat Consump." to an arbitrary high value, say 1000 MW, and the "Fuel Output" field to the exact same value. Go to "Operational" and allow partial load. This unit allows the internal heat pump to produce a second fuel, namely the cold water.

Lastly, open the properties of each fuel and check "Restrictions and storage". Set the "Fuel storage, max utilizable content" to the same value in each fuel. This value should be the capacity of the thermal storage in m<sup>3</sup>. For the warm water specifically, set the "Fuel store content at" and the "Fuel store content desired at" equal to the thermal storage utilizable content. In this manner, the thermal storage starts filled with water at the temperature T<sub>warm</sub>.

The model should now look like this:



**Figure 1.3:** Modelling two operation modes of the same electric heat pump: external operation with an ambient heat sources and internal operation with internal heat sources.

### 5.1.3 Solar collectors

We cannot use the built-in energy conversion unit for solar collectors, as this unit is currently only capable of producing heat. We need the solar collectors to produce water at different temperatures, which we have defined as fuels.

The procedure is therefore to create a new energyPRO model. In this model we add the built-in Flat Plate Solar Collectors with the desired properties. Use the correct temperatures, corresponding to either  $T_{hot}$ ,  $T_{warm}$  or  $T_{cold}$ . Next, we add an enormous thermal storage tank, gas boiler and an extremely high demand for heat. We make sure to add an arbitrary cost for operating the gas boiler. We then calculate the model and export the thermal production of the solar collectors using “Tools” → “Export Energy Conversion”. Make sure to select the desired time resolution.

Paste the export into Excel and find the column for the thermal production of the solar collectors. Then add this column as a time series in the original energyPRO model, containing the three temperature levels. Give the time series a symbol with the format, SC\_X\_Y, where X and Y are the inlet and outlet temperatures of the collectors, respectively. Repeat this procedure for all the temperatures, that the solar collectors should work with:

- $T_{cold} \rightarrow T_{warm}$
- $T_{cold} \rightarrow T_{hot}$
- $T_{warm} \rightarrow T_{hot}$

We now have three time series in our original model, one for each operation mode of the solar collectors. Now, add three user defined units to the model. In their properties under “Operational”, make sure that they cannot operate at the same time, in the same manner as we did with the heat pumps.

For each unit, select the appropriate “Fuel input” and “Fuel output” and enter the corresponding formula in the power curve fields for both “Fuel input” and “Fuel output”:

$$SC\_cold\_warm(\_) / E\_warm(\_)$$

or

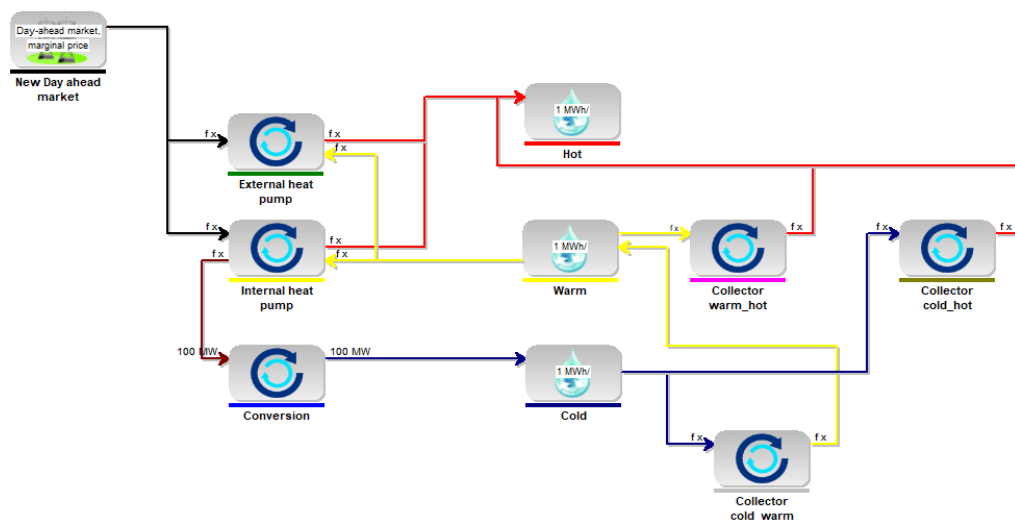
$$SC\_cold\_hot(\_) / E\_hot(\_)$$

or

$$SC\_warm\_hot(\_) / (E\_hot(\_) - E\_warm(\_))$$

At last, go to the properties of every unit conversion unit in the model, and enable “Allow production to store” under “Operational”, as we now have multiple units that can produce to the same storage. Remember to also do this for the heat pumps.

The model should now look like this:



**Figure 1.4:** Model of solar collectors capable of operating in three different modes, varying based on the inlet and outlet temperature.

### 5.1.4 Woodchip boiler with a condenser

First, we specify the parameters of the woodchip boiler. Add the following constants as time series functions:

- Woodchip boiler thermal capacity [MW-heat]
- Condenser efficiency

The condenser efficiency should be interpreted as the added efficiency of the woodchip boiler by cooling the flue gas with  $T_{cold}$  rather than  $T_{warm}$ . For example, if the woodchip boiler has a thermal capacity of 10,0 MW-heat and using  $T_{cold}$  instead of  $T_{warm}$  allows for a thermal capacity of 10,4 MW-heat, the condenser efficiency is set to  $10,4 / 10,0 - 1 = 0,04$ .

Next, we add two user defined units. One of them is the actual woodchip boiler. We do not allow this unit to partial load, but we allow it to produce to store under “Operational”. As “Fuel input” we select warm water and as “Fuel output” we select hot water. In the power curve fields we enter the following for both “Fuel input” and “Fuel output”:

$$B\_cap(\_) / (E\_hot(\_) - E\_warm(\_))$$

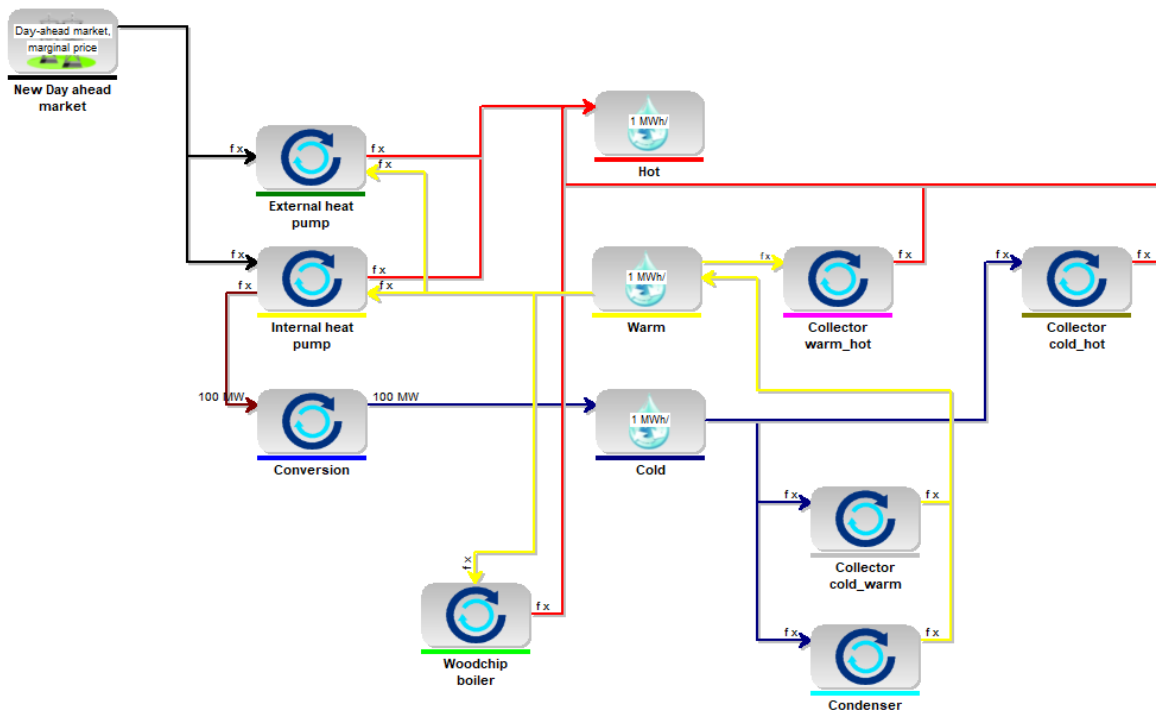
Here,  $B\_cap$ , is the thermal capacity of the woodchip boiler.

We now modify the second user defined unit, that we created. We allow this one to partial load under “Operational”, but we only allow it to produce when the woodchip boiler is being operated. As “Input fuel” we select cold and as “Output fuel” we select warm. Enter the following in the power curve fields for both “Fuel input” and “Fuel output”:

$$B\_cap(\_) * c\_eff / E\_warm(\_)$$

Here,  $c\_eff$ , is the efficiency of the condenser.

The model should now look like this:



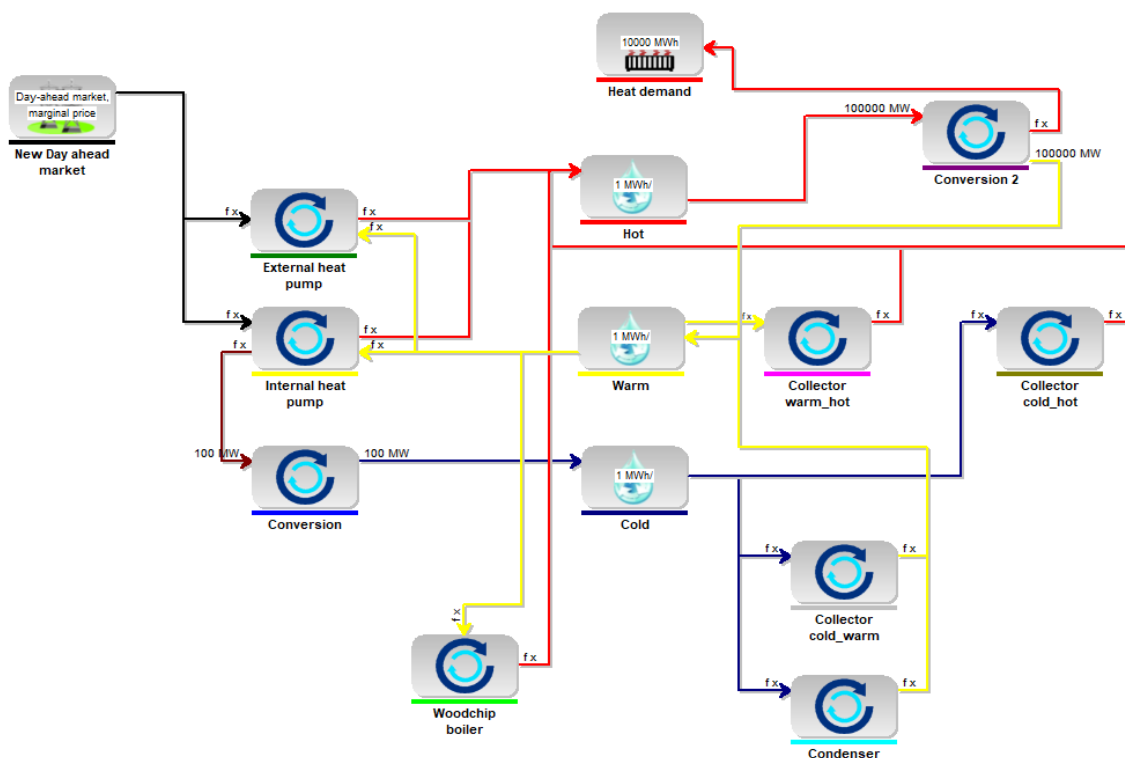
**Figure 1.5:** Model of a woodchip boiler with a condenser. The condenser models the extra heat production from the woodchip boiler when lowering the inlet temperature to  $T_{cold}$ .

### 5.1.5 Heat demand

As the last thing, we need to add a heat demand. We simply use the built-in function to add a heat demand and define the properties as we desire. Then we add a new user defined unit for converting the m<sup>3</sup> of water into energy units.

Set the “Fuel input” as hot water and the “Fuel output” as warm water. In the power curve, set an enormous value for the “Fuel input” and set the exact same value as the “Fuel output”. For the power curve value of “Heat” multiply this enormous value with (E\_hot( ) – E\_warm( )) to convert back into MWh or your specified energy unit. Under “Operational”, allow production to store as well as partial load.

This gives us the final model, which can model the usage of internal heat sources in combination with both a woodchip boiler and solar collectors. The model should look like this, although there is room for visual improvements by aligning the units better and changing the icons:



**Figure 1.6:** Final model of an energy system with solar collectors and a woodchip boiler. The heat pump can be operated using internal heat sources to increase the efficiency of the temperature dependent units.

### 5.1.6 Optimizing the operation and getting the results

It is not possible to use the “Analytical” solver to optimize the operation of the model. To run the model, click on “Analytical” in the top menu. Change the “Type of Solver” to MILP. Set the “Max. solution time” to 600 and the “Wanted precision” to 1%. It is a complicated model, so these settings allow enough leeway and computation time to find an optimal operation.

Unfortunately, the built-in graphs in energyPRO are not capable of presenting the results of the model on their own. Instead, export the results using “Tools” → “Export Energy Conversion”. Paste the results into Excel. Keep in mind that most of the units are in m<sup>3</sup> of water and not in MWh, although the header row says so! Convert them back into MWh manually, using the values of the constants  $E_{hot}$  and  $E_{warm}$ .

## 5.2 Modifying the model

It is possible to scale and modify the model explained in the previous section. This section covers some of these modifications.

### 5.2.1 Adding built-in units to the model

It is possible to add built-in units to the model, such as an electric boiler for covering peak demand. However, built-in units cannot produce to the thermal storage with three temperature levels. Built-in units are also assumed to heat water from  $T_{warm}$  to  $T_{hot}$ , where  $T_{warm}$  is equal to the district heating grid return temperature, and  $T_{hot}$  is equal to the forward temperature. If these conditions are not true, the built-in unit should instead be modelled as another user defined unit, calculating with volume of water instead of energy.

### 5.2.2 Changing the temperatures

The temperatures can be changed by modifying the constants in the time series functions. However, keep in mind that changing the temperatures requires you to recalculate the solar collector time series as well with these new temperatures if the model contains solar collectors.

### 5.2.3 Changing the thermal storage capacity

When changing the thermal storage capacity, make sure that the change is reflected in each region of the three-temperature thermal storage and that the initial and final values of the storage reflect the changes. The “Fuel storage, max utilizable content” should be the same value for each region of the thermal storage, and the sum of “Fuel store content at” as well as the sum of “Fuel store content desired at” across all temperature regions should also be equal to this same value.

### 5.2.4 Relating the COP to a variable external condition

In the time series function defining the COP, one can enter an arbitrary function that relies on external conditions. The following code implements the COP estimation method used in the built-in heat pump unit in energyPRO for the internal operation mode of the heat pump:

$$\left( \frac{((HotTemp(\_) - WarmTemp(\_)) / \log((HotTemp(\_) + 273.15) / (WarmTemp(\_) + 273.15)))}{((HotTemp(\_) - WarmTemp(\_)) / \log((HotTemp(\_) + 273.15) / (WarmTemp(\_) + 273.15))) - ((WarmTemp(\_) - (ColdTemp(\_))) / \log((WarmTemp(\_) + 273.15) / ((ColdTemp(\_) + 273.15)))} \right) * HPn(\_)$$

Here,  $HPn(\_)$ , denotes the constant Lorentz-efficiency, typically around 0.5. For the external operation mode of the heat pump, use the following formula:

$$\left( \frac{((\text{HotTemp}(\_) - \text{WarmTemp}(\_)) / \log((\text{HotTemp}(\_) + 273.15) / (\text{WarmTemp}(\_) + 273.15)))}{\text{WarmTemp}(\_) / \log((\text{HotTemp}(\_) + 273.15) / (\text{WarmTemp}(\_) + 273.15))} - ((\text{T}(\_) - ((\text{T}(\_) - \text{EHQ}(\_)))) / \log((\text{T}(\_) + 273.15) / ((\text{T}(\_) - \text{EHQ}(\_)) + 273.15))) \right) * \text{HPn}(\_)$$

Here,  $\text{EHQ}(\_)$ , denotes the cooling of the external heat source in K, and  $\text{T}(\_)$  denotes the temperature of the external heat source in °C.

### 5.2.5 Adding costs for producing heat and consuming fuels and electricity

It is possible to add costs like in a traditional energyPRO model. However, as many of the units are modelled as fuel-producing units, it is important that the costs are associated with producing 1 m<sup>3</sup> of heat and not 1 MWh-heat. Use the built-in formula  $\text{FP}(\_)$  and the constant  $E_{\text{hot}}$  and  $E_{\text{warm}}$  in the cost formulas. It is not possible to model fuels such as woodchips for the woodchip boiler, as the unit is already consuming a fuel (water at  $T_{\text{cold}}$ ). Instead, one should calculate the costs associated with producing heat and not consuming fuel.

## 5.3 Effektiviseringspotentiale ved intern drift af elvarmepumpe

I dette kapitel er den beskrevne metodologi anvendt til at beregne effektiviseringspotentialet ved intern drift af en elvarmepumpe.

### 5.3.1 Introduktion til analysen

Store eldrevne varmepumper i fjernvarmen bidrager til elektrificering af den danske energisektor og anvendes i højere og højere grad på de danske fjernvarmeværker (DFP, 2020). Fossil varmeproduktion erstattes med blandt andet varmepumper og kan bidrage til store besparelser for fjernvarmeselskaberne (Grøn Energi, 2018, 2019). Udfasning af fossil varmeproduktion sker samtidig med, at der fokuseres på effektivisering af varmeproduktionen internt på fjernvarmeværkerne. Her kan en elvarmepumpe bidrage til effektivisering gennem drift med en intern varmekilde, fx fjernvarmeværkets varmelager. Varmelageret kan anvendes som varmekilde, hvorved der produceres både varmt og koldt vand der kan anvendes direkte i fjernvarmesystemet eller indirekte til effektivisering af øvrige varmeproducerende enheder. Intern drift af varmepumpen åbner op for at udnytte eksisterende anlæg på nye måder og skabe nye synergier på fjernvarmeværket. Denne analyse undersøger nye muligheder i planlægningsværktøjet energyPRO med specielt fokus på varmeakkumuleringstanken og køling af bundlaget. Det undersøges, hvor stort effektiviseringspotentiale der er, når varmepumpen får mulighed for at have flere varmekilder. Den interne varmekilde anvendes i analysen til at øge effektiviteten af henholdsvis en fliskedel og et solvarmeanlæg. Analysen undersøger først og fremmest de økonomiske gevinster ved investering i udstyr til udnyttelse af en intern varmekilde. Herudover undersøges mulighederne for fleksibilitet gennem variable distributionstariffer samt de CO<sub>2</sub>-besparelser der opnås gennem intern drift. Slutteligt analyseres robustheden af investeringen gennem flere forskellige følsomhedsanalyser. Her undersøges blandt andet betydningen af varmelagerets størrelse, fremløbs- og returtemperaturer og køling af bundlaget til forskellige temperaturer.

### 5.3.2 Metode og forudsætninger

Fokus i analysen vil være på et fjernvarmeværks varmeakkumuleringstank og hvordan dette modelleres og simuleres i planlægningsværktøjet energyPRO. Analysen anvender en ny beregningsmodel i energyPRO, hvor der ikke kun ses på varmeproduktion, men også på flere temperaturniveauer internt på værket. Varmeproduktionen afhænger i høj grad af temperaturniveauer og derfor er det relevant, at dette bliver en parameter i beregningerne.

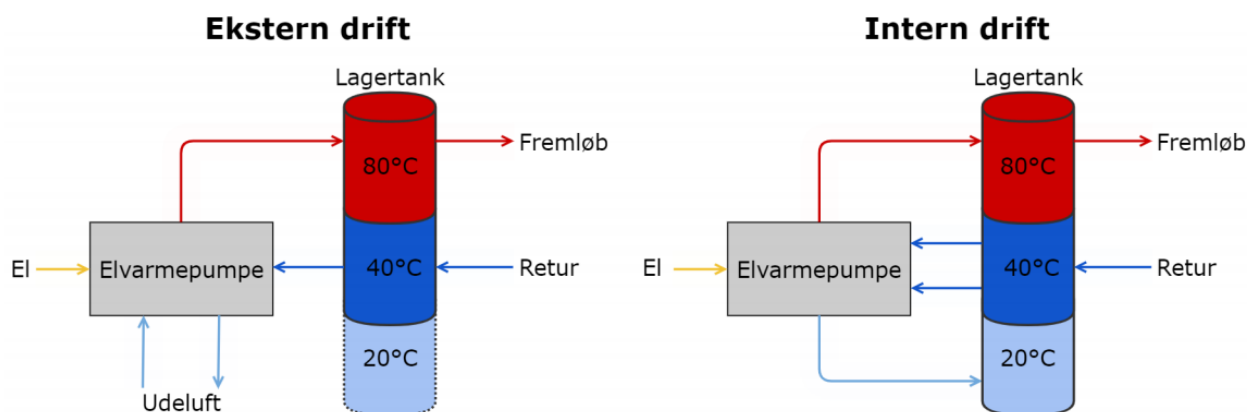
### 5.3.3 Fjernvarmeværket

Analysen og beregningerne i energyPRO tager udgangspunkt i et mindre fjernvarmeværk med et samlet årligt varmebehov af værk på 55.000 MWh (ca. 200 TJ). Med et ledningstab på 15 % og et årligt varmebehov på 18,1 MWh/år svarer dette til ca. 2600 forbrugere. Fjernvarmen produceres primært på en elvarmepumpe baseret på udeluft, en fliskedel og et solvarmeanlæg, men afhænger af hvilket scenarie der undersøges (se Afsnit 2.2). Herudover er der en naturgasfyret kedel til spids- og reservelast. Enhederne er dimensioneret efter typiske størrelser, med udgangspunkt i erfaringstal (Grøn Energi, 2019). Der regnes med årlige faste naturgas- og flispriser (Energistyrelsen, 2020a). Elpriserne er bestemt på timebasis ud fra Analyserforudsætninger til Energinet (Energinet, 2020). Dette er beskrevet nærmere i Bilag A.3 "CO<sub>2</sub>-emissionskoefficienter". EnergyPRO-simuleringerne starter og slutter ved årsskiftet. For at gøre driftssimuleringen mere realistisk, antages det, at lageret er halvt fyldt med varmt vand ved årets begyndelse og at lagerstanden skal være det samme når året slutter. Modellen medtager som udgangspunkt ikke lagertab, men er relevant for fremtidige analyser. Beregningerne foretages med timeopløsning og der optimeres over hele årets længde. Vejrfiler og varmebehovsprofilen er baseret på 2019 data. Øvrige beregningsforudsætninger som fx anlæggenes kapacitet, afgifter og tariffer kan ses i Bilag A.1 "Fjernvarmeværket".

### 5.3.4 Ekstern og intern varmepumpedrift

Ved køling internt på fjernvarmeværkets lagertank, er det nødvendigt at lave en temperaturodeling. Figur 2.1 skitserer ekstern og intern drift med varmepumpen, der har udeluft som varmekilde. I analysen er lageret som udgangspunkt 80°C i toppen er 40°C i bunden, svarende til værkets fremløbs- og returtemperatur. Bundlaget kan med intern drift af varmepumpen køles ned til 20°C. Her køles en delstrøm fra bundlageret til 20°C, mens en anden delstrøm opvarmes til 80°C. Ved intern drift er der altså tale om en omfordeling af energien i temperaturniveauerne og den eneste energi tilført, er den fra el-tilførslen i varmepumpen. Ved ekstern drift hentes energien fra udeluften.





**Figur 2.1:** Skitse af ekstern og intern drift med en elvarmepumpe baseret på udeluft som varmekilde

### 5.3.5 Scenarier

Der undersøges i analysen to energyPRO modeller, hvor varmeproduktionen er baseret på henholdsvis en fliskedel med røggaskondensering og et solvarmeanlæg. Elvarmepumpen vil kunne driftes internt for at køle bundlageret, hvilket giver to alternative scenarier til de to referencescenarier. Der altså i alt fire grundscenarier:

**Ref 1:** Fliskedelscenarie med almindelig drift af varmepumpen.

**Alt 1:** Fliskedelscenarie med almindelig og intern drift af varmepumpen.

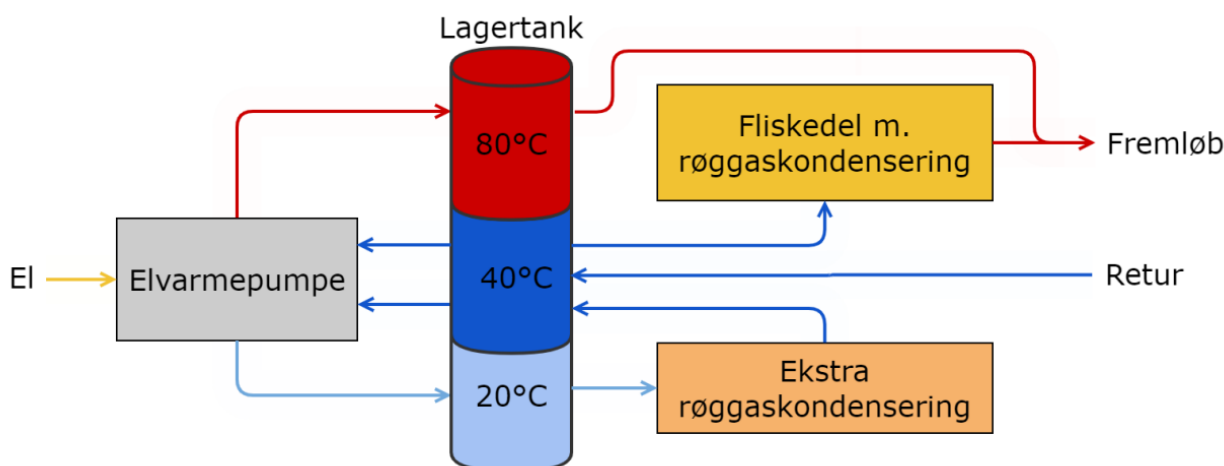
**Ref 2:** Solvarmescenarie med almindelig drift af varmepumpen.

**Alt 2:** Solvarmescenarie med almindelig og intern drift af varmepumpen.

Referencescenarierne repræsenterer altså almindelig drift af varmepumperne. Scenarie Alt 1 undersøger effektiviseringspotentialet af øget røggaskondensering for en fliskedel. Scenarie Alt 2 undersøger effektiviseringspotentialet ved at anvende nedkølet vand i et solvarmeanlæg. De to modeller repræsenterer samme fjernvarmeværk. Følgende afsnit gennemgår de to alternative scenarier.

### 5.3.6 Fliskedel og ekstra røggaskondensering

En stor andel fjernvarmeselskaber har i dag flisfyrede kedler. Flis er et brændsel med højt fugtindhold, hvilket betyder, at der kan hentes et højt energiudbytte gennem kondensering af røggassen fra forbrændingen. Kondenseringen foregår typisk med et scrubberanlæg, hvor en vekslerkreds fra fjernvarmereturen eller bundlageret i akkumulatortanken køler røggassen og opsamler energien fra røgen. Dette ekstra varmeudbytte kan følgende overføres til fjernvarmekredsen og øge effektiviteten af det samlede flisfyrede kedelanlæg. Ved at sænke temperaturen på bundlageret gennem intern drift af en elvarmepumpe, kan der hentes mere energi ud af røggassen og den samlede effektivitet af anlægget kan øges yderligere. Dette er skitseret i Figur 2.2.



**Figur 2.2:** Skitsering af scenarie Alt 1 med en fliskedel og ekstra røggaskondensering.

Dette scenarie tager udgangspunkt i, at røggasen køles med 40°C vand fra bundlageret. Gennem intern drift produceres 20°C vand, som kan øge effektiviteten. Ved at sænke temperaturen til 20°C, kan røggassens udgangstemperatur reduceres fra 43°C til 23°C. Den procentuelle ekstra energi, der kan hentes ud af anlægget, svarer til 4,86 %. Dette er beskrevet yderligere i Bilag A.4 "Øget virkningsgrad ved ekstra røggaskondensering".

Der kan opstå problemer og udfordringer ved køling af røggas til 20°C eller lavere. Der er risiko for røgnedslag, når røggassen har stort set samme temperatur som omgivelserne. Enkelte fjernvarmeverker som har erfaring med ekstra røggaskøling har dog ikke haft udfordringer med dette (Rambøl, Dansk Fjernvarme, 2019). Eventuelle effekter eller ekstra omkostninger grundet røgnedslag er ikke medtaget i denne analyse.

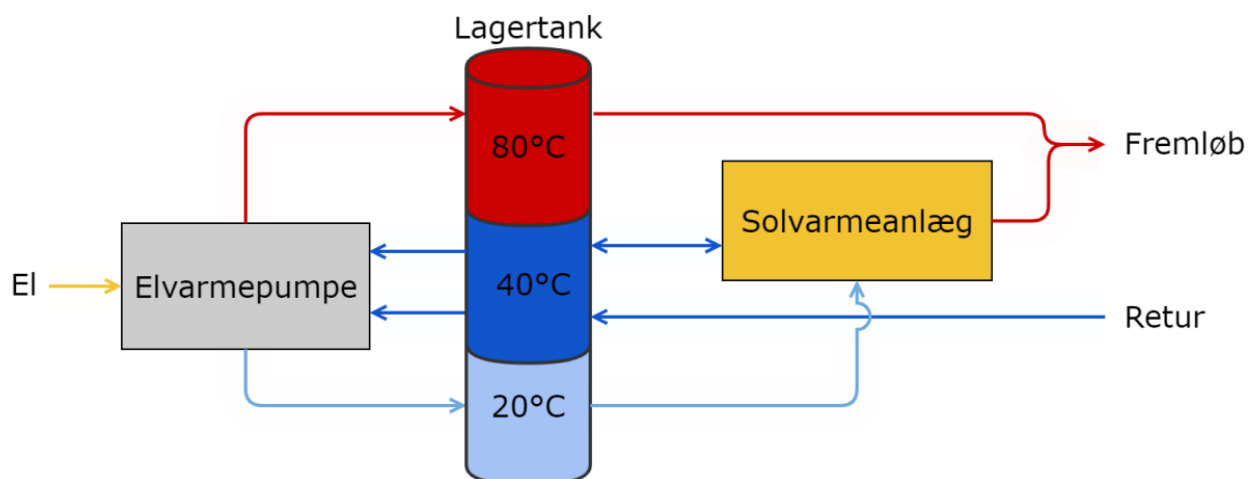
### 5.3.7 Udnyttelse af koldt vand i solvarmeanlæg

Et solvarmeanlæg og en eldrevet varmepumpe baseret på udeluft vil ofte konkurrere om de billigere driftstimer i sommerhalvåret, hvor begge teknologier kan producere varme med høj effektivitet. Elvarmepumpen er dimensioneret dobbelt så stor som i scenariet med fliskedlen, hvilket betyder at el-kapaciteten er 3 MW. Dette er gjort, for at minimere varmeproduktionen fra naturgaskedlen, da den ved en el-kapacitet på varmepumpen på 1,5 MW ville bidrage med omkring en fjerdedel af den årlige varmeproduktion.

Energien, der kan hentes fra et solfangeranlæg, afhænger af indgangs- og udgangstemperaturen på anlægget. Solvarmen kan i modellen med intern drift af varmepumpen produceres ved tre forskellige temperaturløft:

- 40 °C → 80 °C
- 20 °C → 80 °C
- 20 °C → 40 °C

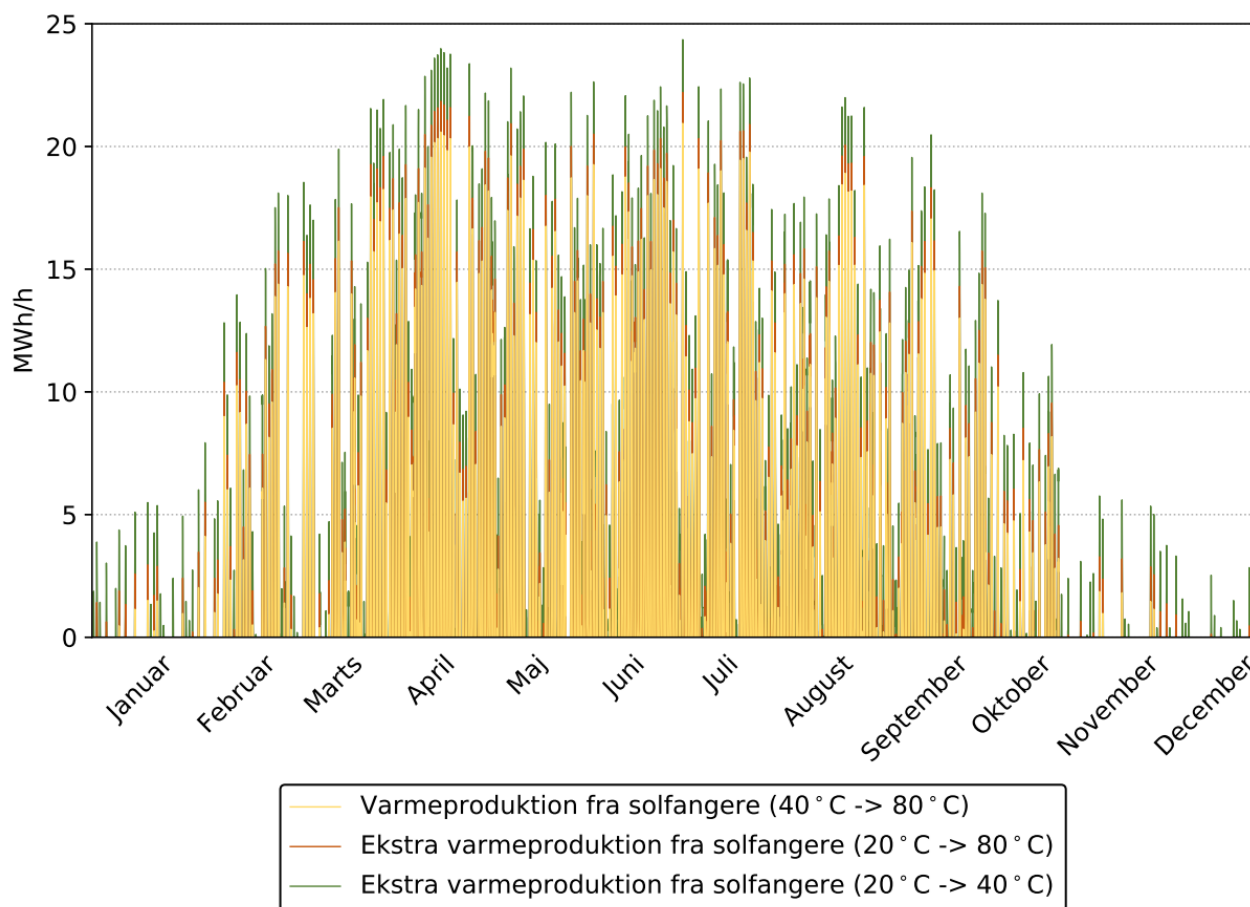
Princippet i modellen med solfangeranlægget er skitseret i Figur 2.3. Her ses det, at det kolde vand produceret ved intern drift af varmepumpen kan anvendes i solfangeranlægget. Samtidig har solvarmeanlægget mulighed for at blive driftet normalt, hvor indgangsflowet er lig med fjernvarmereturen.



**Figur 2.3:** Skitsering af scenarie Alt 2, hvor der anvendes kølet vand i et solvarmeanlæg.

Det antages, at anlægget har et areal på 30.000 m<sup>2</sup> og anlægget har et minimumsflow på 95,5 m<sup>3</sup>/timen, som skal være opfyldt før varmeproduktionen kan begynde. Øvrige forudsætninger for solfangerne samt hvordan anlægget modelleres i energyPRO kan findes i Bilag A.5 "Solfangeranlæg".

Ved at opvarme vandet fra 20°C til 40°C i stedet for 40°C til 80°C, kan anlægget producere varme i perioder, hvor det ellers ikke ville være muligt. Dette ses i Figur 2.4, hvor den mulige varmeproduktion hen over året er vist ved de tre temperaturløft. Her ses den ekstra varmeproduktion, som fås ved at ændre på indgangs- og udgangstemperaturen på solfangeranlægget. Det ses endvidere, at der ved lavere indgangstemperaturer kan produceres varme i timer, hvor det tidligere ikke var muligt.



**Figur 2.4:** Varmeproduktion fra solfangere ved opvarmning fra 40°C til 80°C samt ekstra varmereproduktion ved opvarmning fra 20°C til 80°C og fra 20°C til 40°C.

### 5.3.8 Investeringsomkostninger til intern drift

De faktiske investeringsomkostninger til, at en eksisterende varmepumpe kan anvende lagertanken som varmekilde afhænger meget af den konkrete situation. Hvis der tages udgangspunkt i et fjernvarmeværk, som allerede har installeret en luftbaseret eldrevet varmepumpe, kan typen af kompressor have stor betydning. Skruekompressorer, som typisk bruges i større anlæg, har ofte et ekstra udtag til vekslere som kan bruges direkte i forbindelse med etablering af en ny kølekreds fra lagertanken til varmepumpen. Denne kompressortype vil derfor sandsynligvis have lavere investeringsomkostninger sammenlignet med fx stempelkompressorer.

Udgangspunktet i denne analyse er et eksisterende varmepumpeanlæg. Havde der været tale om en ny investering i en varmepumpe ville den ekstra vekslerkreds være billigere, da man kan sammentænke det ind i varmepumpens design fra starten. Herudover afhænger investeringsomkostningerne af anlæggets beskaffenhed som fx længder på rørføring, vekslere og styring. På baggrund af dette vurderes det, at

omkostningerne til etablering af en ekstra vekslerkreds til køling af lagertanken vil koste mellem 500.000 kr. og 1.000.000 kr. (Grøn Energi, 2020). I denne analyse regnes ud fra en worst-case betragtning med samlede omkostninger til etableringen af den ekstra vekslerkreds på lagertanken på 1.000.000 kr.

### 5.3.9 Beregning af nutidsværdi og varmeproduktionspriser

Beregningerne foretages over en 20-årig periode med en diskonteringsrente på 4 %. Det betyder, at for hvert scenarie regnes 20 værdier af værketts totale årlige omkostninger ved driften. For scenarierne diskonteres fremtidige udgifter tilbage til år nul, som her er valgt til 2019. Det betyder altså, at beregningsperioden for driftsudgifterne løber fra 2020 til 2039.

Investeringer i udstyr til intern drift af varmepumpen foretages i år nul og det antages at værket netop har afholdt investering i en varmepumpe baseret på udeluft, hvilket betyder at investeringsomkostningerne til varmepumpen ikke indgår i beregningerne. I de årlige omkostninger medregnes faste omkostninger til anlæggene som afhænger af scenarierne. Herudover regnes med faste omkostninger til administration og distribution samt vedligehold og fjernvarmemålere for at opnå en realistisk fjernvarmepris.

For hvert år regnes nutidsværdien af nettobetalingerne, som indeholder de årlige driftsomkostninger beregnet i energyPRO og de øvrige faste omkostninger. Herved fås en total omkostning til investering og drift over 20 år. Denne annualiseres ved diskonteringsrenten på 4%, således at man får en gennemsnitlig årsomkostning. Når denne slutteligt deles med den årlige varmeproduktion på 55.000 MWh, fås den gennemsnitlige varmeproduktionspris ved drift af fjernvarmeværket over en 20-årig periode. Dette er eksemplificeret i Tabel 2.1.

Årlige omkostninger		2019	2020	2021	2022	...	2038	2039
Investeringsomkostninger	[mio. kr.]	1,0	0,00	0,00	0,00	...	0,00	0,00
Driftsomkostninger	[mio. kr.]	0,00	10,00	10,10	10,20	...	11,80	11,90
Faste omkostninger	[mio. kr.]	0,00	0,70	0,70	0,70	...	0,70	0,70
Administration og distribution	[mio. kr.]	0,00	5,20	5,20	5,20	...	5,20	5,20
Vedligehold og målere	[mio. kr.]	0,00	2,40	2,40	2,40	...	2,40	2,40
Varmeproduktion	[MWh]	0	55.000	55.000	55.000	...	55.000	55.000
Nettobetaling	[mio. kr.]	1,00	18,30	18,40	18,50	...	20,10	20,20
Nutidsværdi	[mio. kr.]	1,00	17,60	17,01	16,45	...	9,54	9,22
<b>Varmeproduktionspris</b>								
Total nutidsværdi over perioden	[mio. kr.]	260,86						
Gennemsnitlig årsomkostning	[mio. kr./år]	19,19						
Gennemsnitlig varmeproduktionspris	[kr./MWh]	349,00						

**Tabel 2.1:** Beregningseksempel af den resulterende gennemsnitlige varmeproduktionspris over en 20-årig periode. I eksemplet investeres 1 mio. kr. i en vekslerkreds til intern drift af varmepumpen. Værket har følgelig årlige driftsomkostninger på 10 mio. kr. som årligt øges med 100.000 kr./år og øvrige årlige omkostninger på 8,3 mio. kr. De enkelte omkostninger til investering og drift tilbagediskonteres ved nutidsværdien og den gennemsnitlige årsomkostning beregnes ved annualisering. Den gennemsnitlige varmeproduktionspris bliver 349 kr./MWh.

Den gennemsnitlige varmeproduktionspris kan omregnes til en varmepris for forbrugeren. Der antages et ledningstab for fjernvarmenettet på 15 % og at den gennemsnitlige forbruger har et årligt varmebehov på 18,1

MWh. Herudover skal der tilføjes moms på 25 %. I eksemplet fra Tabel 2.1 bliver varmeprisen for en forbruger ca. 9100 kr./år.

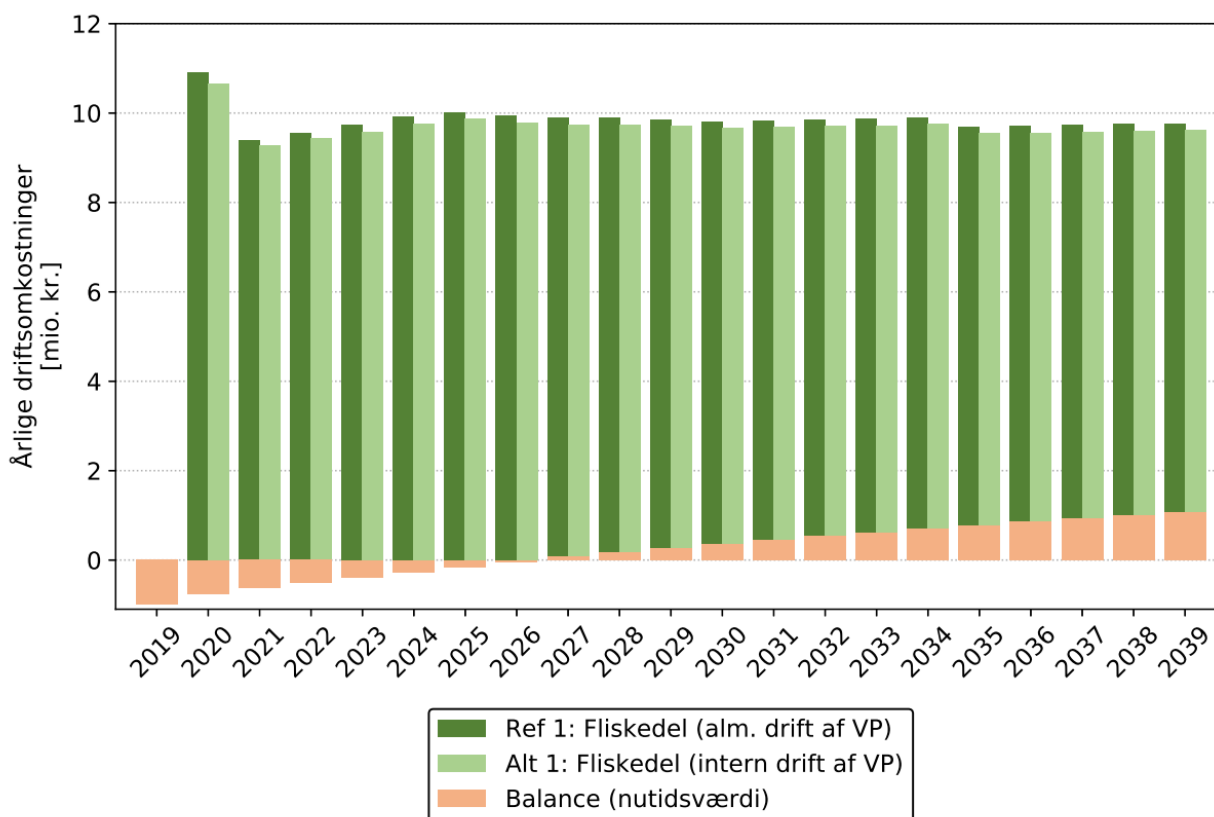
### 5.3.10 Resultater fra energyPRO simuleringer

Følgende afsnit indeholder resultater fra simulering af de fire grundscenarier.

#### 5.3.11 Fliskedel

Figur 2.5 viser de årlige driftsomkostninger for de to scenarier med fliskedlen. Det ses, at de årlige driftsomkostninger for fjernvarmeværket ligger tæt på 10 mio. kr. gennem hele beregningsperioden. Det betydelige fald fra 2020 til 2021 skyldes primært reduktion i elvarmeafgiften til varmepumpen. I perioden fremover ses mindre stigninger og fald i de årlige driftsomkostninger, der skyldes variation i el- og brændselspriser.

Balancen, der er omregnet til nutidsværdi, af investeringen til intern drift af varmepumpen er ligeledes præsenteret på figuren. Der er i alle årene driftsbesparelser der svinger mellem 70.000 kr. og 250.000 kr. Herved er investeringen stort set tjent hjem i 2026, dvs. efter en driftsperiode på 7 år. Den totale besparelse over perioden er 2,1 mio. kr. og ved en investering på 1 mio. kr., er fortjenesten altså 1,1 mio. kr. efter 20 år.



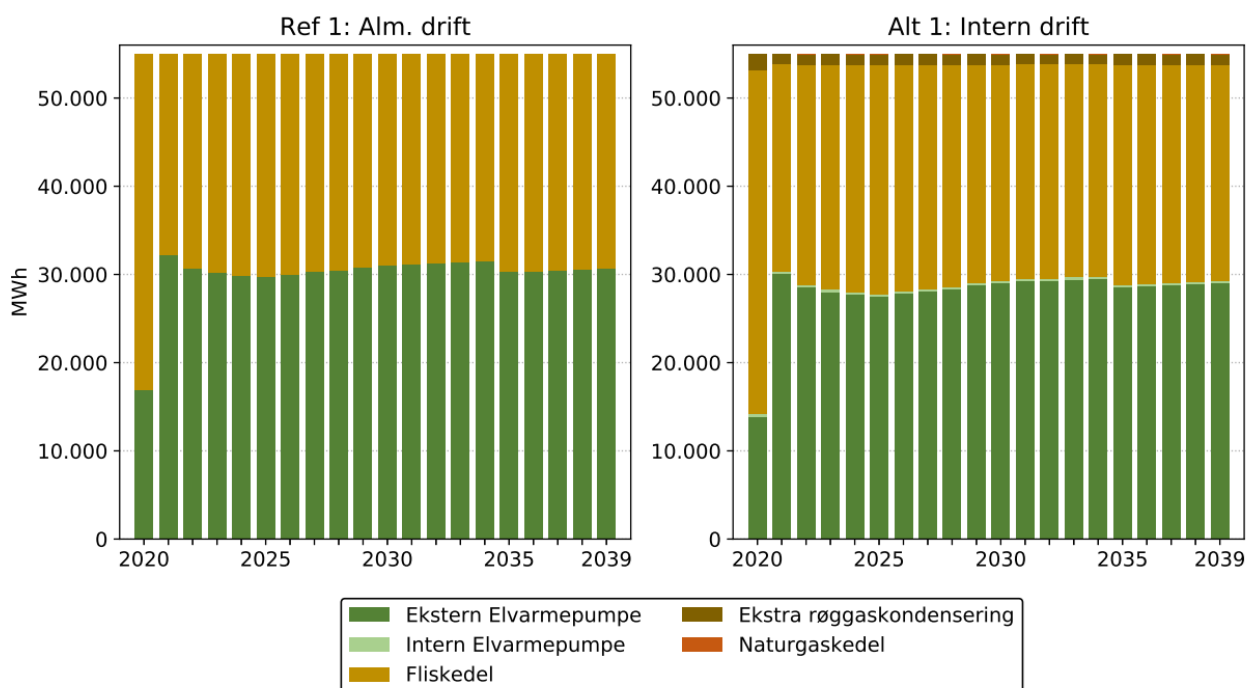
**Figur 2.5:** årlige driftsomkostninger for fliskedelsscenariet ved referencen og alternativet.

Værdierne fra Figur 2.5 kan sammen med de faste årlige omkostninger, administrations- og distributionsomkostninger og omkostninger til vedligehold og målere bruges til at beregne den gennemsnitlige årlige varmeproduktionspris for de to scenarier.

For referencen fås en gennemsnitlig varmeproduktionspris over perioden på 330,8 kr./MWh, mens den for drift med intern varmepumpe bliver 329,4 kr./MWh.

Altså en beskedent besparelse på 1,4 kr./MWh over hele perioden på 20 år. Dette kan omregnes til en estimeret varmepris hos forbrugeren inklusive moms på henholdsvis 8610 kr./år og 8570 kr./år for de to scenarier. Dette giver en årlig besparelse på 40 kr./år.

Figur 2.6 viser den årlige varmeproduktion fordelt på anlæg. For almindelig drift af varmepumpen fordeles varmeproduktionen over den 20-årige periode således, at elvarmepumpen i gennemsnit bidrager med 54,48 %, fliskedlen bidrager med 45,50 % og gaskedlen bidrager med 0,02 %.



**Figur 2.6:** Varmeproduktion fra elvarmepumpen, fliskedlen og naturgaskedlen over hele beregningsperioden på 20 år for henholdsvis almindelig drift og intern drift.

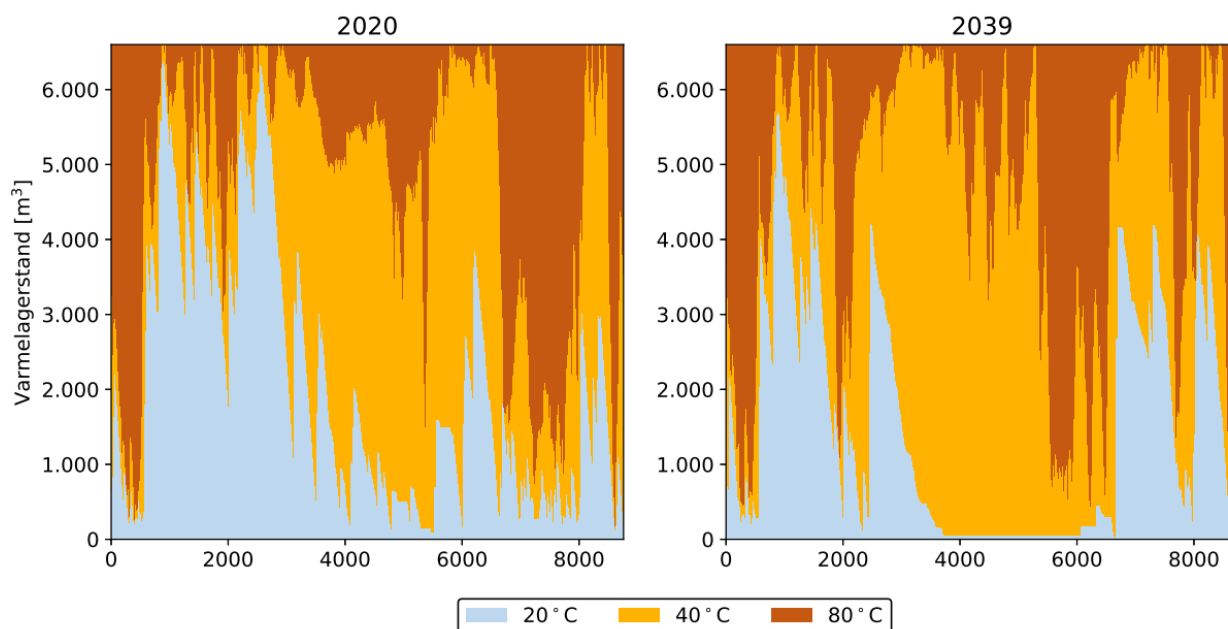
Ved intern drift af elvarmepumpen produceres ca. 298 m<sup>3</sup> koldt vand ved et elforbrug på 1,5 MW. Den ekstra røggaskondensering bruger ca. 12 m<sup>3</sup>/timen af det kolde vand, hvilket betyder at der kan trækkes 0,28 MWh ekstra varme ud af røggassen. Intern drift af elvarmepumpen bidrager følgelig til, at røggaskondensatoren kan dække 2,1 % til 3,4 % af varmeproduktionen henover den 20-årige periode med et gennemsnit på 2,24 %. Dette sker primært på bekostning af drift på elvarmepumpen, som reduceres til at dække ca. 51 % af varmeproduktionen. Elvarmepumpen har op mod 270 fuldlasttimer ved intern drift, hvilket producerer nok koldt vand til ekstra røggaskondensering på fliskedlen året rundt. Fliskedlen og dermed også den ekstra røggaskondensering har 6822 fuldlasttimer i 2020 og omkring 4300 fuldlasttimer de øvrige år.

COP-faktoren ved intern drift er altid højere end ekstern drift (se Bilag A.1). Det betyder, at der kan produceres billigere varme, uanset elprisen, ved intern drift sammenlignet med ekstern drift i alle årets timer. Der er dog begrænsning i lagerets størrelse. Den interne varmepumpe tilføjer blot energi fra elforbruget til varmelageret, og har altså en begrænsning når der ikke er mere vand at opvarme. Samtidig er konstant produktion af koldt vand ikke nødvendig, da der på en fuldlasttime kan produceres nok koldt vand til at drifte den ekstra



røggaskondensering i 25 timer. Det er altså ikke nødvendigvis ved lave elpriser, at den interne varmepumpe driftes, men nærmere når COP'en ved ekstern drift er lav. Herved kan timer med lav COP fra udeluften undgås. Ca. 34 % af elforbruget ved ekstern drift sker ved en udetemperatur under 5°C. Samme tal for intern drift er ca. 60 %. Dette bekræfter, at den interne drift primært sker ved lave udetemperaturer og dermed også ved en lav COP.

Figur 2.7 viser lagerstanden i varmelageret fordelt på de tre temperaturniveauer, 20°C, 40°C og 80°C for både 2020 og 2039. I 2020 produceres 81.500 m<sup>3</sup> koldt vand, mens der i 2039 produceres 51.100 m<sup>3</sup> koldt vand. Den store forskel mellem de to år skyldes primært den betydeligt lavere varmeproduktion fra elvarmepumpen i 2020, da den reducerede elvarmeafgift først indtræffer i de følgende år. Da varmepumpen er dyr at drifte i 2020, produceres størstedelen af varmen på fliskedlen. For årene 2021 til 2039 er produktionen af koldt vand mere stabil omkring de 50.000 m<sup>3</sup>. Af figuren ses det også, at produktionen af koldt vand er mindre hen over sommerperioden. Dette skyldes at varmen primært produceres på elvarmepumpen frem for fliskedlen. Produktionen af koldt vand følger altså til en vis grad varmeproduktionen fra fliskedlen, men da energyPRO har fuld indsigt i det fremtidige behov for koldt vand, kan modellen styre den interne varmepumpe optimalt.



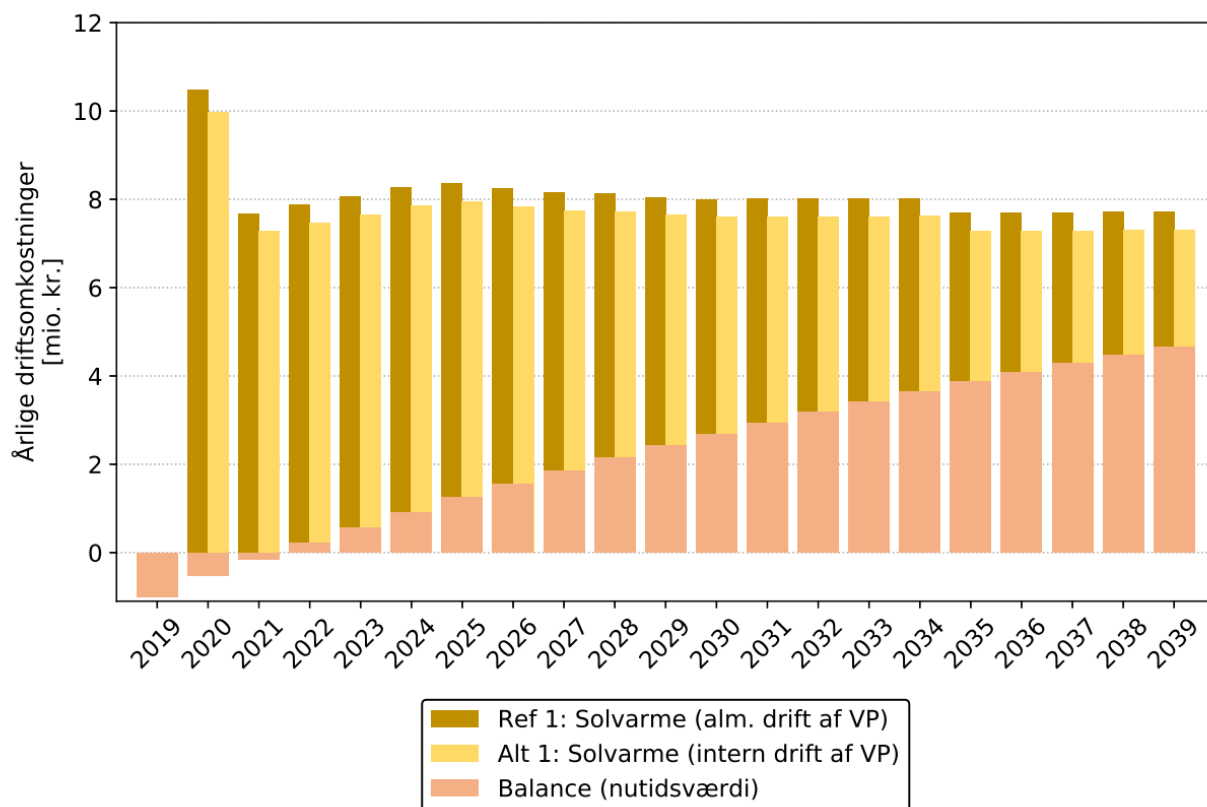
**Figur 2.7:** Lagerstand af varmetanken fordelt på de tre temperaturniveauer 20 °C, 40 °C og 80 °C for både 2020 og 2039.

Beregningerne i energyPRO viser altså, at det kan betale sig at drifte varmepumpen internt, for at muliggøre ekstra røggaskøling og dermed effektivisere fliskedlen. Dette er på bekostning af varmeproduktion på elvarmepumpen. Der kommer ikke flere nye driftstimer på varmepumpen når den drives internt. Driftstimer der ellers ville have været baseret på udeluft erstattes med intern drift når det kan svare sig. Det kan fx være ved lave udetemperaturer eller når energyPRO modellen kan se et behov i fremtiden for koldt vand, der i sidste ende kan resultere i lavere driftsomkostninger.

### 5.3.12 Solvarme

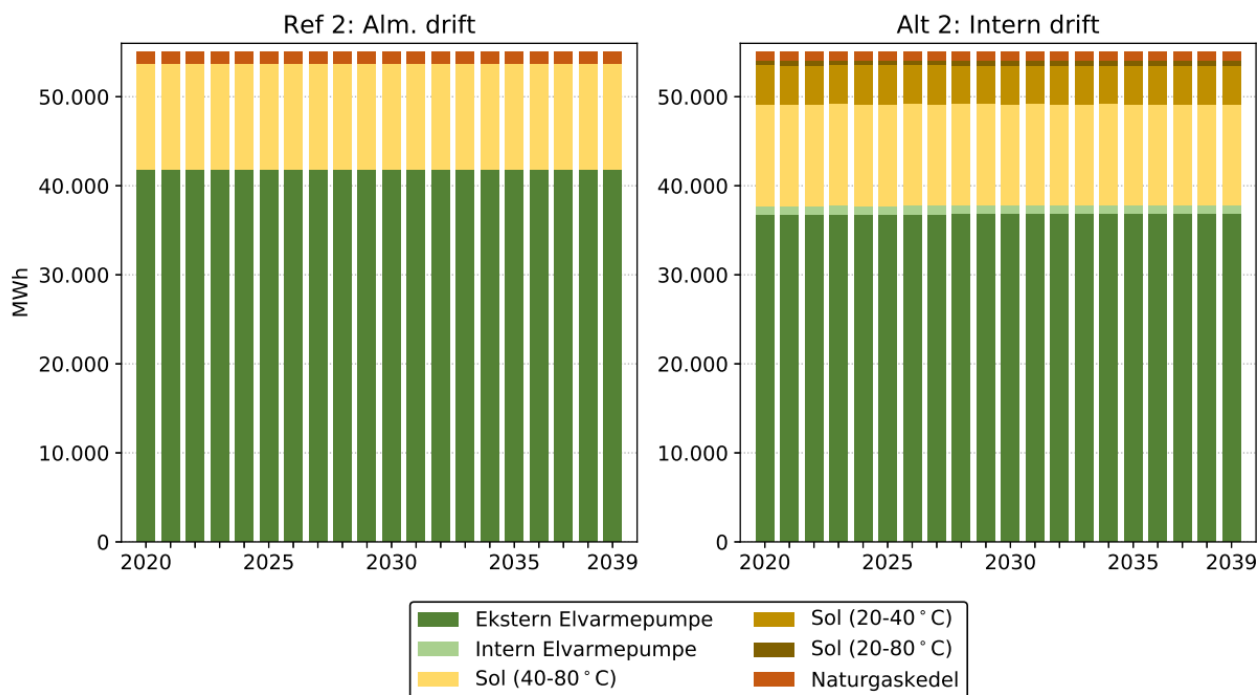
Figur 2.8 viser årlige driftsomkostninger for de to scenarier med solvarmeanlægget. Det ses, at de årlige driftsomkostninger for fjernvarmeværket ligger tæt på 8 mio. kr. gennem hele beregningsperioden, med undtagelse af det første driftsår. Dette skyldes som i flisscenarioet en højere elvarmeafgift i 2020. Balancen af

investering på 1 mio. kr. kan også ses på figuren. Gennem beregningsperioden er der en besparelse ved intern drift af elvarmepumpen på 190.000 kr. til 490.000 kr. Investeringen er tjent hjem efter 3 år. Den totale besparelse over perioden er 5,7 mio. kr., hvilket betyder der er en fortjeneste på 4,7 mio. kr. efter 20 år.



**Figur 2.8:** årlige driftsomkostninger for solvarmescenariet ved referencen og alternativet.

For referencen fås en gennemsnitlig varmeproduktionspris over perioden på 296,6 kr./MWh mens den for drift med intern varmepumpe bliver 289,4 kr./MWh. Altså en besparelse på 6,2 kr./MWh set over hele perioden. Omregnet til en varmepris hos forbrugeren fås for referencen 7690 kr./år og for drift med intern varmepumpe 7530 kr./år. Dette giver en årlig besparelse ved investering i den ekstra vekslerkreds fra lagertanken til solvarmeanlægget på 160 kr./år. Figur 2.9 viser den årlige varmeproduktion fordelt på anlæggene på fjernvarmeværket. For referencen ses det, at varmeproduktionen fordeler sig identisk på anlæggene over de 20 år. Det skyldes, at varmeproduktionen fra solvarmeanlægget er baseret på profiler for solindstråling og udetemperatur der gentages i alle beregningsårene. Elvarmepumpen producerer så meget som muligt, men kan ikke dække hele varmebehovet i de koldeste timer, hvor der heller ikke er solproduktion, hvilket betyder at gaskedlen driftes. Selvom elprisen ændrer sig over beregningsperioden, har det ikke betydning for varmeproduktionen fra anlæggene, da der ikke er nogen fleksibilitet mellem varmeproduktionsenhederne. Solvarmeanlægget producerer så meget som muligt og leverer op mod 20 MW om sommeren. Da varmebehovet i nogle timer i vinterhalvåret overstiger den mulige varmeproduktion fra elvarmepumpen startes gaskedlen også.



**Figur 2.9:** Varmeproduktion fra elvarmepumpen, solvarmeanlægget og naturgaskedlen over hele beregningsperioden på 20 år for henholdsvis almindelig drift og intern drift.

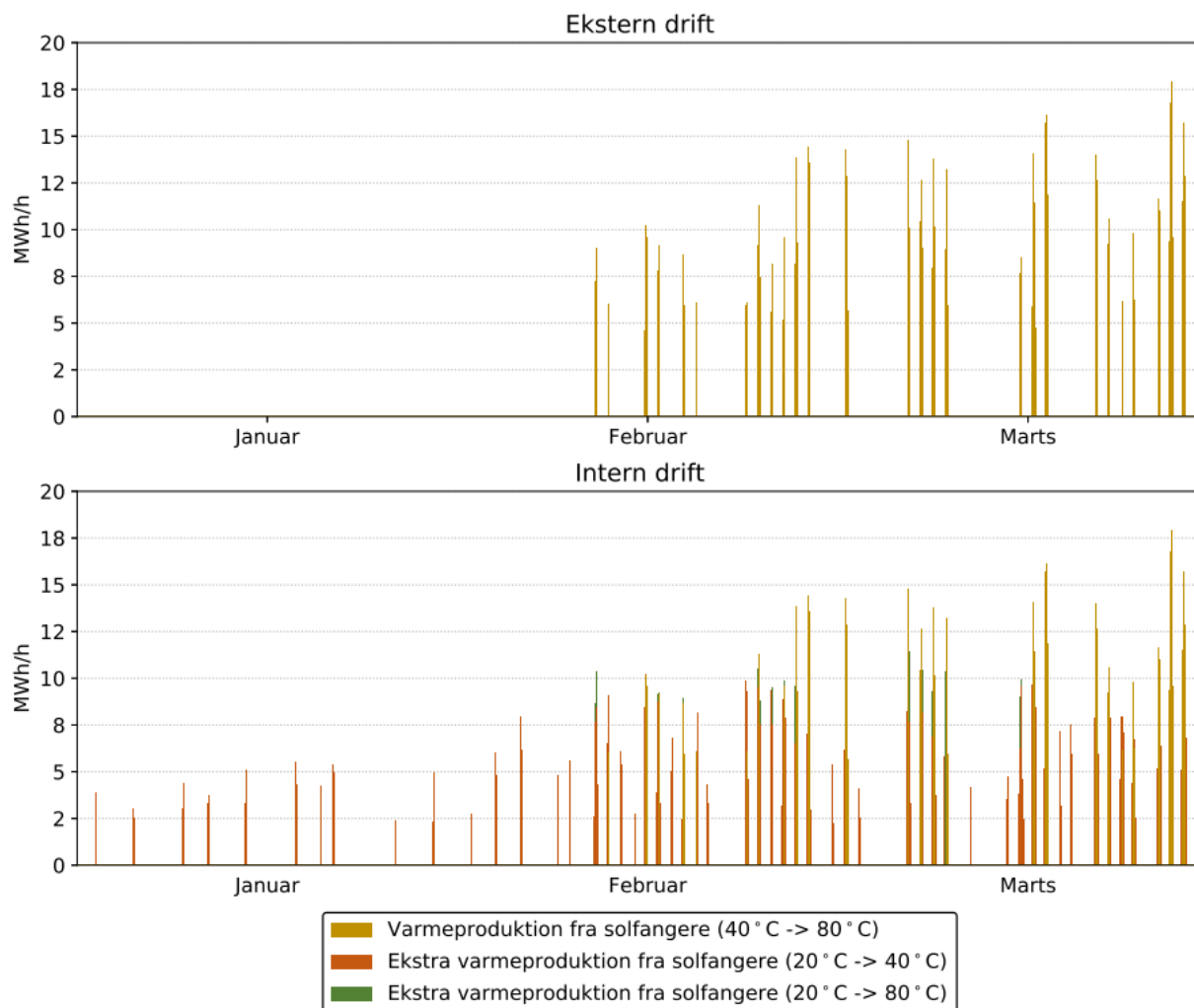
For almindelig drift af varmepumpen fordeles varmeproduktionen over den 20-årige periode således, at varmepumpen i gennemsnit bidrager med 76 %, solvarmeanlægget leverer 22 % mens gaskedlen leverer de sidste 2 %.

Ved intern drift af varmepumpen, har solvarmeanlægget tre mulige temperaturintervaller hvor der kan produceres varme. Udsving henover den 20-årige periode er ubetydelige, og ligesom for referencen er der altså stort set ingen forskel på hvordan varmeproduktionen fordeles mellem årene. Den interne varmepumpe har omkring 330 fuldlasttimer om året, hvilket producerer nok koldt vand til at solvarmeanlægget samlet yder ca. 30 % af varmeproduktionen - en øget varmeproduktion på 8 % i forhold til referencen. Det betyder samtidig, at elvarmepumpen ved intern drift leverer 8 % mindre af varmeproduktionen i forhold til referencen.

Det kræver mindre solindstråling at opvarme fjernvarmevandet fra 20°C til 40°C end fra 20°C til 80°C. Det betyder, at varmeproduktion fra 20°C til 40°C kan ske på flere tidspunkter af året, hvor der ellers ikke ville være produktion på anlægget. Anlægget har et minimumsflow som skal være opfyldt før varmeproduktionen starter (se Bilag A.5 "Solfangeranlæg"). Det betyder, at vandet ikke må løbe for langsomt i solvarmeanlægget. Punktet for hvornår varmeproduktionen kan starte ligger lavere når temperaturen kun skal løftes fra 20°C til 40°C. Samtidig skal det bemærkes, at den interne varmepumpe både producerer koldt og varmt vand. Man får altså både adgang til temperaturløftet i solvarmeanlægget og en produktion af varmt vand i lagertanken, når varmepumpen driftes internt.

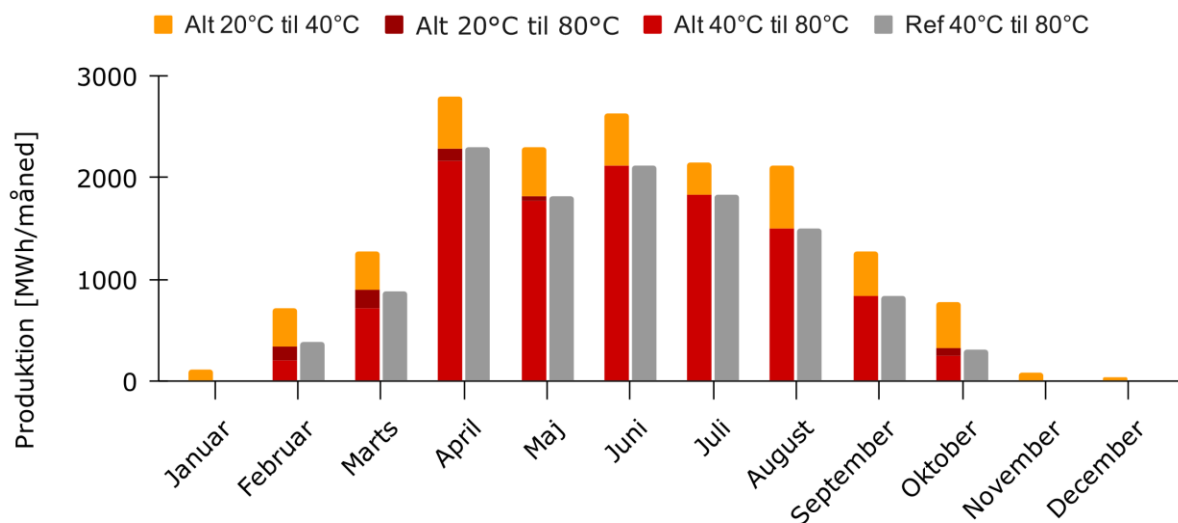
I referencen har solvarmeanlægget 1135 driftstimer, hvor der med intern drift af varmepumpen er 2021 driftstimer på solvarmeanlægget. Figur 2.10 viser den faktiske varmeproduktion fra solvarmeanlægget for januar, februar og marts. Her ses det, at varmeproduktionen ved ekstern drift fra solvarmeanlægget først begynder i februar. Det kolde vand fra den interne varmepumpe muliggør en ekstra produktion i årets koldeste

og solfattigste måneder. Samtidig kan varmeproduktionen forlænges inden for døgnet, da der kan produceres både tidligere og senere på dagen i forhold til referencen.



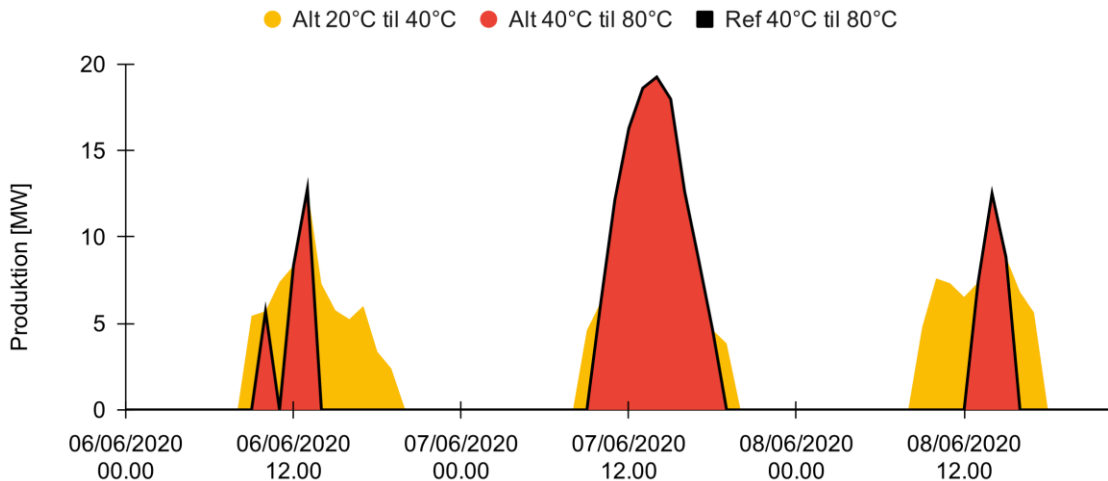
**Figur 2.10:** Faktisk varmeproduktion fra solvarmeanlægget i januar og februar

Hvorledes den ekstra produktion på solfangeranlægget fordeler sig over året kan ses i Figur 2.11, hvor der også sammenlignes med referencescenariet. Det ses, at den ekstra varmeproduktion foregår stort set året rundt, samt at den relative forøgelse er størst i vinterhalvåret, hvor en fordobling af varmeproduktionen er mulig i enkelte måneder.



**Figur 2.11:** Produktionen på solfangeranlægget for henholdsvis referencescenariet og det alternative scenarie for hver måned fordelt efter temperaturløftet.

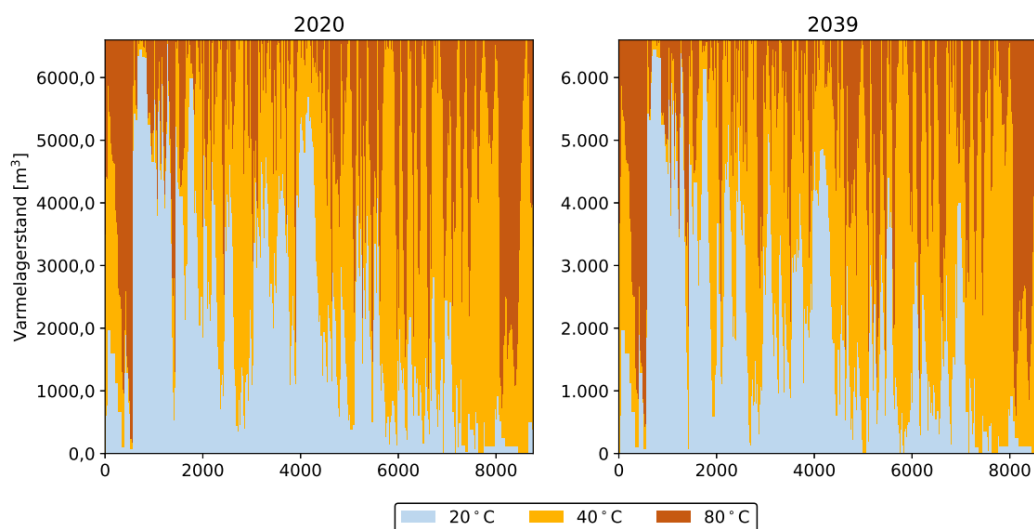
I figur 2.12 ses det, hvorledes den ekstra varmeproduktion på solfangeranlægget fordeler sig over nogle udvalgte dage. Det er især tidligt og sent på dagen, hvor solindstrålingen er for lav til normal produktion fra 40°C til 80°C, at ekstra varme kan produceres.



**Figur 2.12:** Produktionen på solfangeranlægget for henholdsvis referencescenariet og det alternative scenarie for tre udvalgte dage i juni. Den sorte streg angiver produktionen i referencescenariet, som er identisk med produktionen ved samme temperatursæt i det alternative scenarie.

Figur 2.13 viser lagerstanden i akkumuleringstanken fordelt på de tre temperaturniveauer for henholdsvis 2020 og 2039. For en fuldlasttime med intern drift af varmepumpen produceres 595 m<sup>3</sup> koldt vand. Den interne varmepumpe har i 2020 ca. 330 fuldlasttimer, hvilket betyder, at der produceres 198.000 m<sup>3</sup> koldt vand. Til sammenligning produceres der i 2039 ca. 195.000 m<sup>3</sup> koldt vand og der er altså ikke den store forskel mellem

årene. Den lavere produktion af koldt vand mod årets slutning skyldes, at energyPRO-simuleringerne stopper ved årets slutning. Der tages altså ikke højde for, at produktionen af koldt vand kan bruges i det følgende år.



**Figur 2.13:** Lagerstand af varmetanken fordelt på de tre temperaturniveauer 20°C, 40°C og 80°C for både 2020 og 2039.

Beregningerne i energyPRO viser, at der er en årlig besparelse på 160 kr./år for varmekunderne, hvis fjernvarmeværket investerer i den ekstra vekslerkreds der muliggør køling af bundlaget i varmetanken. Driftsbesparelserne hentes primært fra den reducerede drift af elvarmepumpen, som erstattes med varmeproduktion fra solvarmeanlægget. Solvarmeanlægget har stor fordel af det kolde vand fra intern drift af varmepumpen. Antallet af driftstimer bliver næsten fordoblet og varmeproduktionen øget med 8 %. Intern drift øger samspillet mellem varmepumpen og solvarmeanlægget, hvilket er med til at gøre investeringen attraktiv.

### 5.3.13 Fleksibilitet gennem variable tariffer

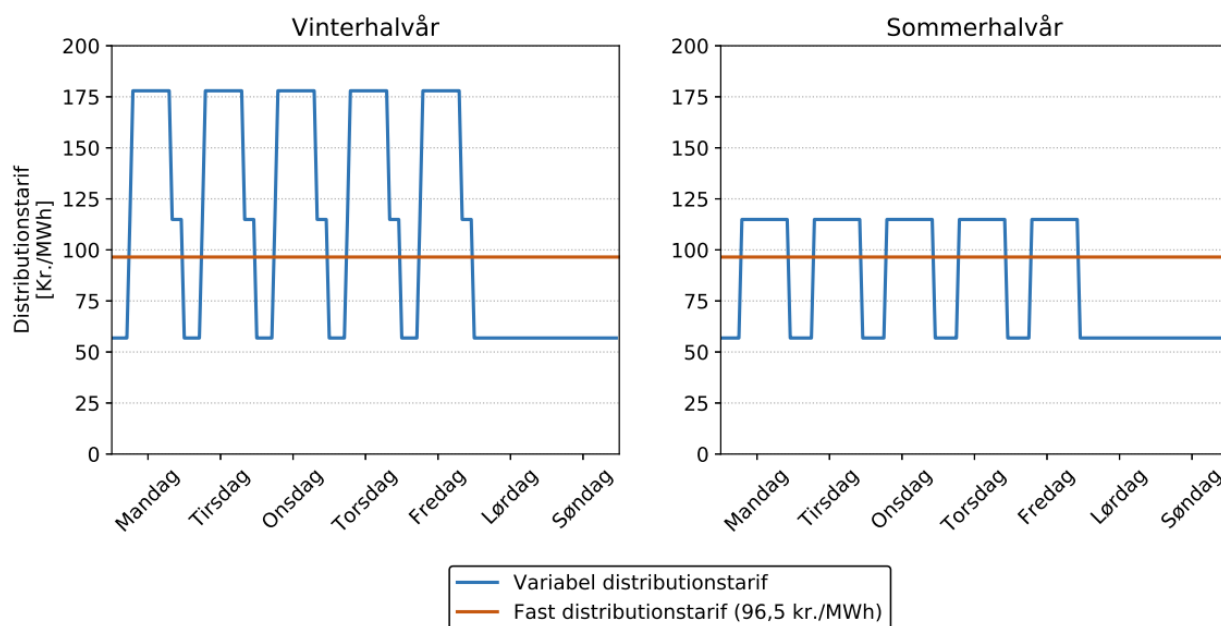
Intern drift giver mulighed for at drive varmepumpen anderledes, da der både kan hentes varme fra udeluften og der kan køles på lagertanken. Følgende afsnit undersøger om der kan skabes fleksibilitet gennem variable distributionstariffer baseret på faktiske elnetstariffer (Radius, 2020). Figur 2.14 viser tarifferingen i henholdsvis en vinter- og sommeruge.

De variable tariffer er justeret, således at middelværdien over hele året svarer til den faste distributionstarif på 96,5 kr./MWh der anvendes i grundscenariet (Dansk Energi, 2020). Fjernvarmeværket i denne analyse er tilsluttet som B-lav kunde ved et spændingsniveau på 400 V (Rambøl, Dansk Fjernvarme, 2019).

Tarifferingen har tre intervaller: lavlast, højlast og spidslast. I lavlastperioden er nettatariffen billigst, mens den er dyrest i spidslastperioden. Vinterhalvåret gælder for perioden oktober til og med marts, mens sommerhalvåret gælder fra april til og med september. Der gælder primært, at der i vinterhalvåret er spidslasttariffer fra kl. 7 til 20, mens der i sommerhalvåret er højlasttariffer fra kl. 7 til 23.

I flisscenariet i år 2020 er der i alt 3744 driftstimer på ekstern drift af varmepumpen, hvoraf 64 % ligger i lavlastperioden, 20 % ligger i højlast perioden og 15 % ligger i spidslastperioden. I alternativscenariet med

intern drift, fås stort set samme fordeling af driftstimerne på de tre tarifintervaller. Det samme er gældende for år 2039 i flissceneriet og er i øvrigt også gældende i solvarmesceneriet.



**Figur 2.14:** Variable distributionstariffer. For både vinterhalvår og sommerhalvår er vist distributionstariffer for en uge. I beregningerne er også medtaget lavlastperioder i helligdage.

Der opnås altså ikke ekstra fleksibilitet gennem intern drift af varmepumpen. Til gengæld mistes der heller ikke umiddelbart fleksibilitet. Intern drift af varmepumpen kan håndtere fleksibilitet fra varierende distributionstariffer, men der opnås ikke nogen gevinst ved investering i interne driftsmuligheder.

Rent økonomisk opnås i flissceneriet en besparelse på 0,2 % og 0,3 % for henholdsvis ekstern og intern drift, mens det for solsceneriet bliver 0,3 % dyrere at drifte med variable tariffer med både ekstern og intern drift. Det skyldes, at der ikke er noget godt alternativ til varmeproduktionen fra elvarmepumpen. Det eneste alternativ er gaskedlen, som stadig er dyrere at drifte. Varmepumpen skal producere varme når solvarmeanlægget ikke gør det, og den varmeproduktion rammer i nogle timer, hvor tarifferingen i gennemsnit bliver dyrere. Større fleksibilitet i solvarmesceneriet ville kræve en større varmepumpe, men her opstår en risiko for overdimensionering.

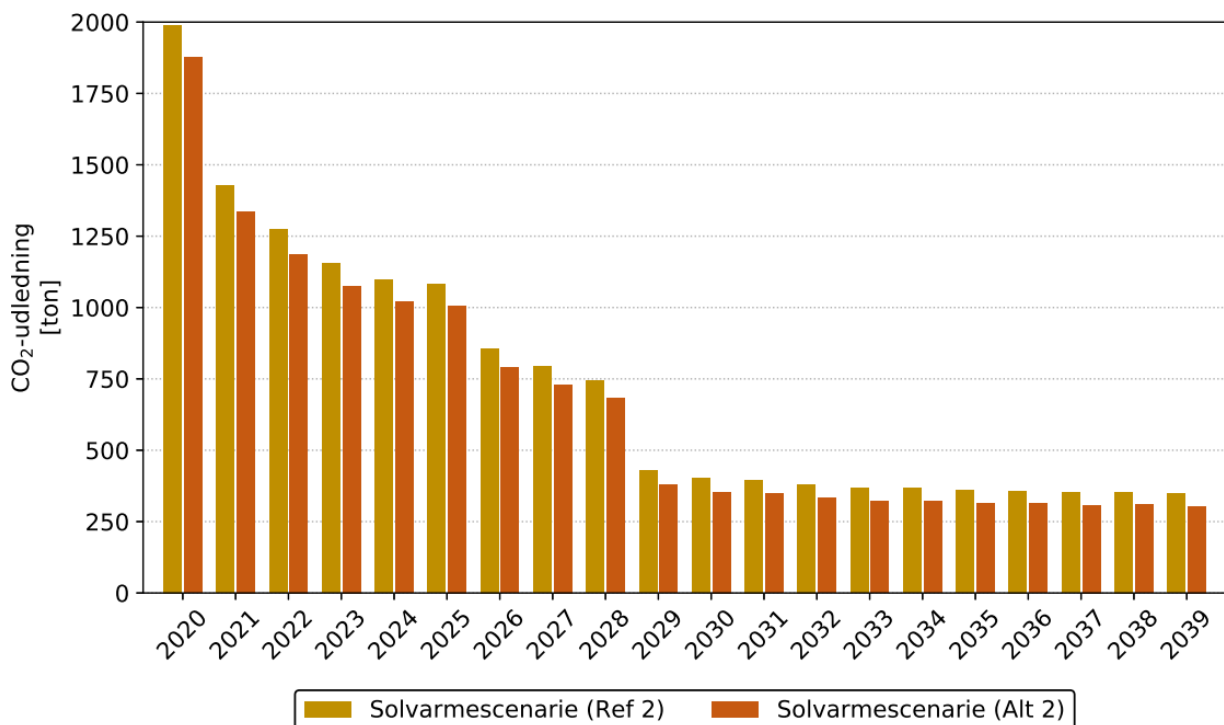
De variable tariffer har en effekt på driften i forhold til grundscenerierne. For grundsceneriet med fliskedlen i år 2020, hvor tariffen er fast, er der i alt 3516 driftstimer på varmepumpen. Af disse ligger 52 % i lavlastperioden, 24 % i højlast perioden og 23 % i spidslastperioden. Det opnås altså både flere driftstimer på varmepumpen og færre driftstimer i høj- og spidslastperioderne ved variable tariffer. Den interne drift har dog ikke ekstra betydning for fleksibiliteten.

### 5.3.14 CO<sub>2</sub>-belastning for solvarmesceneriet

I solvarmesceneriet fortrænges varmeproduktion på elvarmepumpen med CO<sub>2</sub>-neutral solvarme. Samtidig er der en lille reduktion i naturgasforbruget til naturgaskedlen. El- og naturgasforbruget reduceres med betydning

for fjernvarmeverkets samlede CO<sub>2</sub>-udledning. Der er altså, ud over de rent økonomiske gevinster og besparelser for fjernvarmeverket, også en ændring i CO<sub>2</sub>-udledningen, når varmepumpen driftes internt. Emissionskoefficienter for elforbrug og ledningsgas kan ses i Bilag A.3 "CO<sub>2</sub>-emissionskoefficienter".

Ved at anvende de årlige emissionskoefficienter for elforbrug og ledningsgas kan de årlige CO<sub>2</sub>-udledninger fra grundscenarierne med solvarmeanlægget beregnes. Til dette anvendes også el- og naturgasforbruget for de enkelte år. Figur 2.15 viser CO<sub>2</sub>-udledning for de to grundscenarier med solvarmeanlæg hen over alle 20 år. Over hele perioden fås en total CO<sub>2</sub>-besparelse ved intern drift på 1227 ton. Dette svarer til den årlige CO<sub>2</sub>-udledning for 140 danskere (Danmarks Statistik, 2020).



**Figur 2.15:** CO<sub>2</sub>-udledning over den 20-årige periode fra elforbrug til varmepumpen og naturgasforbrug til gaskedlen.

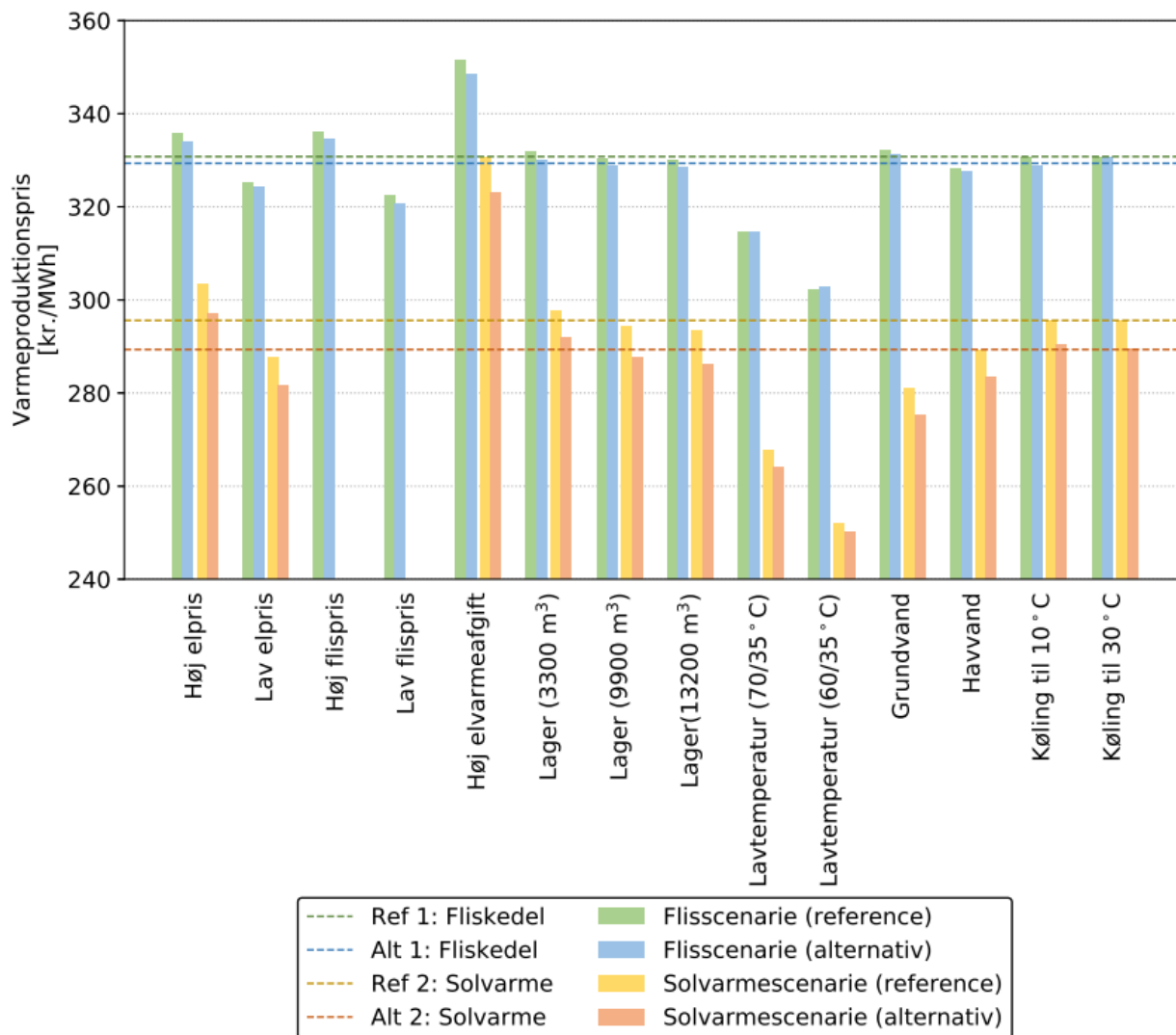
### 5.3.15 Følsomhedsanalyser af scenarierne

Dette afsnit undersøger forskellige følsomhedsanalyser med udgangspunkt i de fire grundscenarier. Der undersøges overordnet følgende:

- Variation af elprisen (høj og lav)
- Variation af flisprisen (høj og lav)
- Ingen reduktion af elvarmeafgiften
- Betydning af lagerstørrelse
- Lavtemperatur fjernvarme
- Varmekilde til elvarmepumpen
- Køling af bundlaget til andre temperaturer

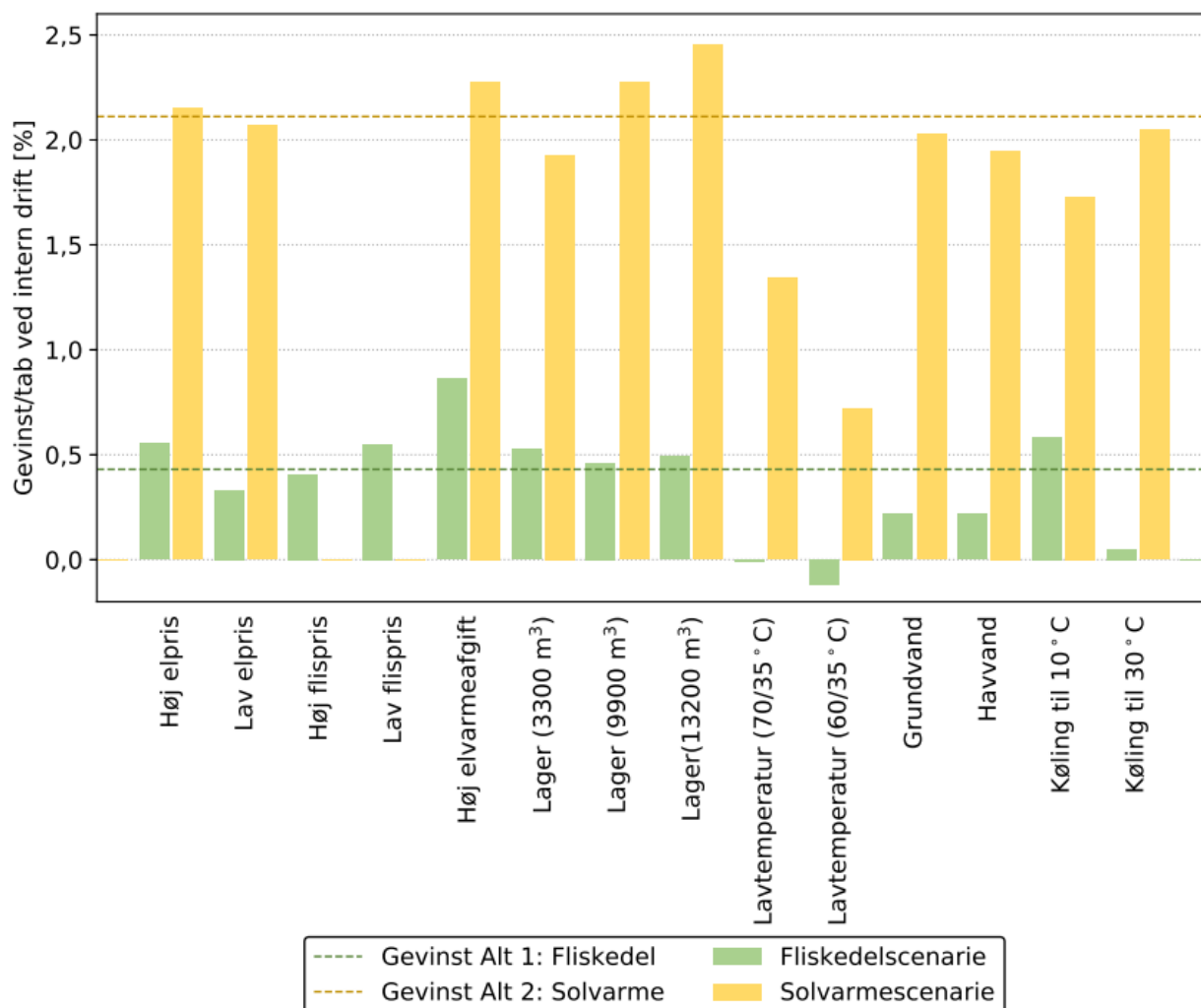


Figur 2.16 viser varmeproduktionspriser for alle følsomhedsanalyserne. På figuren sammenlignes følsomhedsscenerierne med de fire grundscenarier.



Figur 2.16: Varmeproduktionspriser ved følsomhedsanalyserne sammenlignet med de fire grundscenarier.

Figur 2.17 viser den procentuelle gevinst eller tab ved intern drift for de forskellige følsomhedsanalyser. Følgende afsnit gennemgår de enkelte følsomhedsanalyser mere detaljeret.



Figur 2.17: Gevinst ved følsomhedsanalyserne sammenlignet med gevinsten fra grundscenarierne.

### Variation af elprisen

Variation af elprisen har stor betydning for driftsomkostningerne til varmepumpen. I referencen for fliskedlen og solvarmeanlægget udgør omkostning til køb af el i gennemsnit over den 20-årige periode henholdsvis 29 % og 53 %. Denne følsomhedsanalyse undersøger både en høj og en lav udvikling i elprisen på +/-10 % for alle 20 år. Det betyder, at der i energyPRO anvendes en faktor på henholdsvis 0,9 og 1,1 som multipliceres med timeværdierne for elprisen.

Af Figur 2.17 ses det, at en høj elpris giver højere en højere varmeproduktionspris og en lav elpris giver omvendt en lavere. For flisscenariet kommer der altså flere driftstimer på fliskedlen når elprisen stiger og omvendt. Varmeproduktionsprisen stiger og falder med henholdsvis 1,4 % og -1,6 % for flisscenariet ved intern drift. Solscenariet har ikke samme fleksibilitet i forhold til hvilke enheder der skal produceres på, så varmeproduktionen fra enhederne er uændret. Varmeproduktionsprisen stiger og falder med 2,7 % for solscenariet ved intern drift.

Det bekræftes altså, at elprisen har stor betydning for de samlede driftsomkostninger til elvarmepumpen og en påvirkning vil kunne ses direkte på driftsresultaterne. Intern drift af varmepumpen giver højere gevinst ved højere elpriser og omvendt på grund af de stigende og faldende samlede omkostninger.

### Variation af flisprisen

Fremtidige flispriser svinger baseret på efterspørgslen på biomasse. Bæredygtig biomasse er i dag en betydelig brændselsressource for danske fjernvarmeverker, men udsving i fremtidige flispriser kan have betydning for økonomien og driften på fjernvarmeverket. Denne følsomhedsanalyse undersøger både en høj og lav udvikling i flisprisen, som repræsenterer henholdsvis en lav og stor efterspørgsel i markedet. Der regnes med en udvikling i flisprisen frem mod 2039 på +/-18,7 %, se Bilag A.3.

Helt generelt kan det siges, at en højere flispris giver færre driftstimer på fliskedlen, hvilket giver en mindre besparelse på investeringen. Omvendt giver en lavere flispris flere driftstimer på fliskedlen og altså en større besparelse. Dette afspejles ligeledes i driftstimerne på varmepumpen, blot med omvendt fortegn.

Investeringen på 1 mio. kr. bruges altså henholdsvis mindre og mere afhængig af om flisprisen er høj eller lav. Intern drift af varmepumpen følger samme logik, og der er altså en smule højere gevinst ved intern drift hvis flisprisen er lav.

### Ingen reduktion af elvarmeafgiften

Elvarmeafgiften reduceres som følge af Klimaaftale for energi og industri mv. 2020 af 22. juni 2020 til 4 kr./MWh fra 2021 og frem (Finansministeriet, 2020). Den lave afgift på 4 kr./MWh anvendes derfor som udgangspunkt i analysen for 2021 og frem. Denne følsomhedsanalyse undersøger konsekvenserne for fjernvarmeverket, hvis elvarmeafgiften ikke reduceres som planlagt.

For flisscenariet stiger omkostningerne med 5,8 % ved intern drift mens omkostninger i solvarmescenariet stiger med 11,7 %. Antallet af driftstimer er i begge scenarier uændret, men omkostningerne til driften stiger. Ændringen i elvarmeafgift er ikke stor nok til at ændre driftsmønstrene ved intern drift, men har en væsentlig indflydelse på den samlede varmeproduktionspris.

### Betydning af lagerstørrelse

I grundscenariet har lageret en volumen på 6600 m<sup>3</sup>. Denne følsomhedsanalyse undersøger tre øvrige lagerstørrelser på 3300 m<sup>3</sup>, 9900 m<sup>3</sup> og 13.200 m<sup>3</sup>. Der medregnes ikke mer-investeringer for ekstra lagerkapacitet i forhold til udgangspunktet i grundscenariet.

En halvering af lagerstørrelsen til 3300 m<sup>3</sup> øger de samlede driftsomkostninger. I flisscenariet flyttes driftstimer fra fliskedlen over på ekstern drift af elvarmepumpen og naturgaskedlen, som samlet har højere omkostninger. Det mindre lager mindsker fleksibiliteten på fjernvarmeverket, men har ikke store konsekvenser for driftsomkostningerne. Intern drift af varmepumpen resulterer stadig en lavere varmeproduktionspris, men fordelene er en smule større i forhold til referencen.

Driftsomkostningerne i solvarmescenariet stiger med 1,0 % i forhold til grundscenariet, hvilket skyldes, at der produceres og lagres ca. 2400 m<sup>3</sup> mindre koldt vand, der mindsker produktionen fra solvarmeanlægget. Denne manglende produktion skal i stedet produceres af elvarmepumpen ved ekstern drift. Intern drift af varmepumpen resulterer stadig en lavere varmeproduktionspris, men fordelene er en smule mindre i forhold til referencen.

Omvendt ses det, at en øget lagerkapacitet har en lille positiv effekt på den samlede økonomi på op mod 0,3 % i flisscenarioet og 1,0 % i solvarmescenarioet. For både flis- og solvarmescenarioet er gevinsten ved intern drift større end gevinsten ved intern drift i grundscenarierne. Intern drift af varmepumpen opnår altså større besparelser når lagerstørrelsen forøges.

Generelt kan det konkluderes, at intern drift giver mening for fjernvarmeværket uanset lagerstørrelsen. Idéen omkring udnyttelse af elvarmepumpen til køling af bundlaget er en robust investering, uanset om fjernvarmeværket har en lille eller stor akkumulatortank. Sæsonlagring er ikke undersøgt i denne analyse.

### Lavtemperatur fjernvarme

I grundscenariet har fjernvarmesystemet en fremløbs- og returtemperatur på 80/40°C. Her undersøges to øvrige temperatursæt for fjernvarmesystemet på 70/35°C og 60/35°C.

I flisscenarioet falder varmeproduktionsprisen betydeligt sammenlignet med grundscenarierne. Til gengæld er der et lille tab ved investering i en varmepumpe til intern drift - investeringen er altså en dårlig forretning for fjernvarmeværket. Det skyldes, at virkningsgrad på den ekstra røggaskondensering falder fra 4,86 % til 3,22 % mens virkningsgraden på fliskedlen stiger tilsvarende fra 114,0 % til 115,8 %. For begge temperatursæt er returen 35°C og den ekstra køling af returen i systemet på 5°C, giver en bonus til fliskedlen, hvilket overflødig gør investeringen i den interne varmepumpe. Når der trækkes energi ud af røggas, kan der hentes mindre og mindre jo lavere røggastemperaturen bliver, se Bilag A.4. Omkostningerne til at drive varmepumpen internt kan altså ikke modsvares af gevinsten ved den ekstra røggaskøling. I et fremtidigt scenarie, hvor fjernvarmen går mod lavere returtemperaturer, vil effektivisering gennem røggaskøling med en elvarmepumpe være mindre rentabelt.

I solscenariet er der stadig en gevinst ved intern drift af varmepumpen, omend gevinsten er mindre sammenlignet med grundscenarierne. I solvarmeanlægget vil der kunne produceres mere varme ved en returtemperatur på 35°C i stedet for 40°C. Men der er altså stadig en gevinst ved at bruge elvarmepumpen internt til køling af bundlaget, hvorved der kan hentes mere varme i solvarmeanlægget.

### Varmekilde til elvarmepumpen

Her undersøges to alternative varmekilder til varmepumpen baseret på henholdsvis grundvand og havvand. SCOP ved grundvand er 3,19 mens den for havvand er 3,40, se Bilag A.1.

Varmeproduktionsprisen i flisscenarioet bliver 0,6 % højere sammenlignet med grundscenariet med intern drift. Det skyldes, at SCOP'en på grundvand er en smule lavere end for udeluft. Til gengæld der er betydeligt dårligere økonomi i at drive varmepumpen internt. Selvom der stadig er en lille gevinst ved intern drift, er den lavere end for grundscenariet. For havvand er der en mindre besparelse grundet den højere COP, men samme tendens for intern drift. At gevinsten ved intern drift bliver mindre skyldes, at både grundvand og havvand er mere stabile varmekilder end udeluft. Der er altså få eller ingen perioder hvor COP-faktoren er lav, hvor den interne varmepumpe giver mest mening.

I solvarmescenarioet ses samme mønster, men de stabile COP'er har mindre betydning for økonomien ved intern drift. Solvarmeanlægget producerer varme i timer, hvor der ellers ikke ville være blevet produceret varme, hvilket ikke afhænger af varmekilden på varmepumpen.

## Køling af bundlaget til andre temperaturer

I grundscenariene køles bundlaget til 20°C. Denne følsomhedsanalyse undersøger køling af bundlaget til 10°C og 30°C.

I fliskedelscenariet er der en mindre besparelse på varmeproduktionsprisen på 0,2 % sammenlignet med grundscenariet når bundlaget køles til 10°C. Der er ligeledes en ekstra gevinst ved intern drift af varmepumpen. Køling til 10°C giver en ekstra virkningsgrad i røggaskondensatoren på 6,28 %. Ved køling til 30°C fås en ekstra virkningsgrad på 2,90 %, hvilket giver en højere varmeproduktionspris i forhold til grundscenariet, og gevinsten ved intern drift er minimal. Det skal endvidere understreges, at det ikke nødvendigvis er teknisk muligt at køle røggassen under 20°C på grund af røgnedslag. Ligeledes kan andre temperaturer som fx 17°C eller 18°C være mere optimale i forhold til røggaskondenseringen. Dette er ikke undersøgt i analysen.

For solvarmescenariet er der hverken en besparelse sammenlignet med grundscenariene eller en gevinst ved intern drift. Fjernvarmeværket drager ikke fordel af intern drift, hverken når kølingen er 10°C eller 30°C. Det lader altså til, at et optimum for køling til solvarmeanlægget ligger omkring 20°C. Når der køles til 10°C bliver COP'en for varmepumpen lavere og varmepumpen bruger altså mere strøm. Denne ekstra udgift kan altså ikke hentes hjem gennem den ekstra solvarmeproduktion. Omvendt er det gældende for køling til 30°C, at kølingen ikke er lav nok, til at hente nok varmeproduktion fra solfangerne i forhold til elforbruget ved intern drift af varmepumpe. Hvad der er den optimale temperatur, er meget værksspecifikt. Ligeledes kan det overvejes, om temperaturen af kølingen bør være sæsonafhængig.

### 5.3.16 Opsummering af analysens resultater

Analysen af interne varmekilder på et fjernvarmeværk viser, at de nye tilføjelser til planlægningsværktøjet energyPRO er i stand til at håndtere flere temperaturniveauer og dermed mere detaljerede beregningsmodeller. Med udgangspunkt i to modeller af et fjernvarmeværk med henholdsvis en fliskedel og et solvarmeanlæg, er både ekstern og intern drift af en eldrevet varmepumpe simuleret.

I fliskedelscenariet udnyttes den interne varmepumpe til at køle varmelageret og derved producere 20°C vand, der anvendes til at øge effektiviteten af fliskedlen gennem ekstra røggaskondensering. Her viser beregningsresultaterne, at intern drift giver en minimal økonomisk gevinst, idet forbrugerens varmepris kan reduceres med 40 kr./år. Der kommer ikke flere nye driftstimer på elvarmepumpen når den drives internt, men driftstimer der ellers ville have været baseret på udeluft erstattes med intern drift. Dette sker specielt i timer hvor COP-faktoren med ekstern drift er lav - det vil sige når udetemperaturen er lav. Gennem den ekstra røggaskondensering kan fliskedelanlægget øge virkningsgraden med 4,86 %, hvilket betyder, at der kan hentes mere varme på samme mængde træflis.

I solvarmescenariet udnyttes den interne varmepumpe ligeledes til køling af bundlaget i lagertanken til 20°C, men her anvendes det kolde vand i solvarmeanlægget. Solvarmeanlæggets varmeproduktion afhænger i høj grad af indgangs- og udgangstemperaturen på anlægget. Når disse sænkes, muliggøres varmeproduktion i flere af årets timer. Den økonomiske gevinst herved svarer til, at forbrugerens varmepris reduceres med 160 kr./år - altså en større gevinst sammenlignet med fliskedelscenariet. I solvarmescenariet er fordelingen af varmeproduktionen på anlæggene uændret over hele perioden, i takt med el- og brændselspriser varierer. Der er ikke samme dynamik på tværs af de varmeproducerende enheder som i fliskedelscenariet. Gennem intern drift af varmepumpen kan solvarmeproduktionen øges med 8 % og antallet af driftstimer bliver næsten fordoblet. Intern drift giver følgelig et ekstra samspil mellem varmepumpen og solvarmeanlægget, hvilket gør investeringen i intern drift attraktiv.

Fleksibiliteten af scenarierne er undersøgt ved at indføre variable distributionstariffer i modellen. Det ses dog, at der ved at variere tariffen i tre niveauer ikke opnås ekstra fleksibilitet ved intern drift. Der er en tydelig gevinst

ved at fjernvarmeværket kan have fleksible tariffer i grundmodellen, men intern drift finder ikke yderligere gevinster ved variable tariffer. I solscenariet er variable tariffer ligefrem en dårlig ide ved intern drift, da varmeproduktionen på elvarmepumpen er fuldstændig uflexibel og driftes i de timer, hvor tariffen er høj. Intern drift kan dog specielt i solvarmescenariet give et reduceret elforbrug i varmepumpen. Dette kan over en 20-årig periode føre til CO<sub>2</sub>-besparelse på 1227 ton - eller hvad der svarer til den årlige CO<sub>2</sub>-udledning for 140 danskere.

Følsomhedsanalyser viser, at intern drift med køling af lagertanken er en robust investering der giver mening i rigtig mange forskellige sammenhænge. Varierende el- og brændselspriser påvirker gevinsten ved investeringen, men er ikke ødelæggende for om intern drift giver mening. En reduceret eller øget lagerstørrelse giver stadig en gevinst ved intern drift i scenarierne.

Hvis varmekilden er mere stabil, som fx grundvand eller havvand, opnås et dårligere driftsresultat med intern drift af varmepumpen. Det skyldes, at varmepumpen i modellen fortrækker ekstern drift med en stabil COP. Når varmekilden ikke er udeluft undgås mange timer, hvor COP-faktoren er lav og intern drift kunne tage over.

I grundscenarierne køles bundlaget til 20°C, hvilket virker til at være tæt på optimalt i solvarmescenariet. Hvis bundlaget køles til 10°C bliver strømforbruget i varmepumpen for højt til, at det kan modsvares af den ekstra drift i solfangerne og hvis bundlaget omvendt køles til 30°C kan der ikke hentes nok ekstra energi fra solen. Som en del af projektforslag til solvarmeanlæg i fjernvarmen, bør intern drift overvejes, hvis der er en varmepumpe tilgængelig på værket. Der er uanset temperaturen på kølingen er der en gevinst ved at drifte varmepumpen internt i samspil med et solvarmeanlæg.

Det eneste scenarie hvori investeringen i intern drift er et tab for fjernvarmeværket, er hvis returtemperaturen reduceres fra 40°C til 35°C i flisscenariet. Her mindskes den ekstra effektivitet der kan hentes ud af røggaskondenseringen og en investering i en intern varmepumpe giver et tab. For solscenariet er der stadig en gevinst ved lavere fremløbs- og returtemperatur omend gevinsten er en smule lavere end for grundscenariet.

EnergyPRO-modellerne har fuld indsigt i det fremtidige behov samt de fremtidige elpriser. Det betyder, at modellen agerer optimalt i forhold til at minimere driftsomkostningerne og det virker usandsynligt at et faktisk fjernvarmeværk vil kunne driftes på samme måde. Intern drift kræver stort overblik, da der er mange variable i spil, og det kan være svært at vurdere om man skal drifte internt eller ekstern i en given time.

Generelt kan det konkluderes, at intern drift af en elvarmepumpe er en robust investering der kan give en økonomisk besparelse og miljømæssig for fjernvarmeværket. Samtidig kan køling den interne varmekilde være med til at effektivisere de øvrige anlæg. Gevinsten afhænger meget af det konkrete fjernvarmeværk og hvordan varmeproduktionen er sammensat.

## 6. Utilisation of project results

The non-commercial use of the developed a new methodology in energyPRO will be used by students at Aalborg University in their project works. Furthermore, used by Dansk Fjernvarme/Grøn Energi and DGC for their analysis and dissemination of the new opportunities of heat pumps, when electrifying Danish district heating.

The new methodology in energyPRO is becoming a part of the energyPRO software package that most Danish consultancy companies use for planning investments at Danish district heating companies. Furthermore, energyPRO is used world-wide by more than 400 companies and institutions in more than 25 countries, including utilities, manufacturers, planning authorities, engineering companies and research institutions,

<https://www.emd.dk/energypro/references/>. These companies will thus get new opportunities for optimizing investments in heat pumps, which eventually also will lead to more sale of energyPRO world-wide.

The new methodology in energyPRO in energyPRO is a Unique Selling Point, that is not matched by competing software packages.

The new methodology in energyPRO leads to more efficient productions, e.g., as demonstrated with solar heating, where the solar fraction is increased from 22% to 30%, thus participating in realising energy policy objectives.

## 7. Project conclusion and perspective

In this project is developed methodology to improve business-economic potential of operating heat pumps using internal heat sources in addition to an external heat source at typical Danish district heating plants.

This methodology enables modelling of thermal energy stores with multiple temperature layers. The results of the analysis made show that operation of the heat pump with plant internal heat sources can reduce the operating costs of the district heating plant.

The greatest synergy is to be found in connection with a solar heating system, where the cooling effect from the heat pump can increase the solar fraction from 22% to 30% of the annual heat production compared to a reference without operation with in-house heat sources. The colder inlet temperature and cold outlet temperature in the solar heating system also enables heat production on even cold winter days, when the solar heating system is normally out of operation.

This methodology will accelerate electrification of district heating using heat pumps.

## 8. References

- Arcon Sunmark.** Datablad: Solfanger HT-SolarBoost 35/10. <https://serv.spf.ch/spftesting/collectors/pdfs/scf1735en.pdf>
- Danmarks Statistik.** Fakta om Danmarks udledning af drivhusgasser samt energiforbrug (opdateret), 2020. <https://www.dst.dk/da/Statistik/bagtal/2018/2018-12-06-fakta-om-danmarks-udledning-af-drivhusgasser-samt-energiforbrug>
- Dansk Energi.** Elforsyningens nettariffer & priser - Pr. 1. januar 2019, 2020. <https://www.danskeenergi.dk/sites/danskeenergi.dk/files/media/dokumenter/2020-03/Elforsyningens-nettariffer-og-priser-2019.pdf>
- Dansk Fjernvarme.** Beregningsforudsætninger, 2020.
- DFP.** Idriftsatte og kommende varmepumper, 2020. <https://www.dfp.dk/Nyheder.17.aspx?recordid17=60>.
- DGC.** 746-94 - udnyttelse af interne varmekilder (notat om ekstra røggaskondensering), 2020.
- DMI.** Frie Data - Observationsdata, 2020. <https://www.dmi.dk/friedata/observationer/>
- Energinet.** Analyseforudsætninger til Energinet 2020 (AF20) - Datasæt med elpriser p<sup>a</sup> timeniveau (Opdateret d. 14.10.2020), 2020. <https://ens.dk/service/fremskrivninger-analyser-modeller/analyseforudsætninger-til-energinet>
- Energinet.dk.** Tariffer og gebyrer, 2020. <https://energinet.dk/EI/Elmarkedet/Tariffer>
- Energistyrelsen.** Samfundsøkonomiske analysemetoder, 2020a. <https://ens.dk/service/fremskrivninger-analyser-modeller/samfundsøkonomiske-analysemetoder>
- Energistyrelsen.** Teknologikatalog for produktion af el og fjernvarme, 2020b. <https://ens.dk/service/fremskrivninger-analyser-modeller/teknologikataloger/teknologikatalog-produktion-af-el-og>
- Finansministeriet.** Klimaaftale for energi og industri mv. 2020, 2020. <https://fm.dk/media/18085/klimaaftale-for-energi-og-industri-mv-2020.pdf>
- Grøn Energi.** Energiforsyning 2030, 2016. <https://www.danskfjernvarme.dk/groen-energi/analyser/161910-2k30>
- Grøn Energi.** Investering i elvarmepumpe og biomassekedel, 2018. <https://www.danskfjernvarme.dk/groen-energi/analyser/211118-investeringsanalyse-del-1>
- Grøn Energi.** Investeringsanalyse, 2019. <https://www.danskfjernvarme.dk/groen-energi/analyser/090119-investeringsanalyse-del-2>
- Grøn Energi.** Beregningsforudsætninger, erfaringstal fra branchen, 2020.
- Grøn Energi m.fl.** Inspirationskatalog for store varmepumpeprojekter i fjernvarmesystemet, 2017. <https://www.danskfjernvarme.dk/groen-energi/projekter/drejobog-om-store-varmepumper-2017>
- Phyllis.nl.** Database for the physico-chemical composition of (treated) lignocellulosic biomass, micro- and macroalgae, various feedstocks for biogas production and biochar, 2020. <https://phyllis.nl/Biomass/View/55>



**Radius.** Nettariffer, netabonnement og tidsopdeling - Gældende fra den 1. november 2020, 2020.

[https://radiuselnet.dk/wp-content/uploads/EI\\_Nettariffer\\_netabonnement\\_og\\_tidsopdeling.pdf](https://radiuselnet.dk/wp-content/uploads/EI_Nettariffer_netabonnement_og_tidsopdeling.pdf)

**Rambøl,** Dansk Fjernvarme. Store varmepumper i fjernvarmen - Driftserfaringer, 2019. <https://www.danskfjernvarme.dk/viden/f-u-konto-subsection/rapporter/2018-03-erfaringer-med-store-varmepumper-i-fjernvarmen>

**Skatteministeriet.** Afgiftssatser i CO<sub>2</sub>-afgiftsloven, 2020a. <https://skat.dk/skat.aspx?oid=2060519&chk=216985>

**Skatteministeriet.** Afgiftssatser i elafgiftsloven, 2020b. <https://www.skat.dk/skat.aspx?oid=2061620&chk=216985>

**Skatteministeriet.** Afgiftssatser i gasafgiftsloven, 2020c. <https://skat.dk/skat.aspx?oid=2061637&chk=216985>

**Skatteministeriet.** Afgiftssatser i kvælstofoxidafgiftsloven (NO<sub>x</sub>), 2020d. <https://skat.dk/skat.aspx?oid=1946602&chk=216985>.

## 9. Appendices

The developed methodology can be found at <https://www.emd.dk/energypro/support/tutorials-guides/>, and the business-economic potential of operating the heat pump using internal heat sources in addition to an external heat source can be found at <https://www.danskfjernvarme.dk/groen-energi/analyser/220121-interne-varmekilder>.

Further appendices can be requested by contacting project coordinator, Anders N. Andersen, [ana@emd.dk](mailto:ana@emd.dk).