

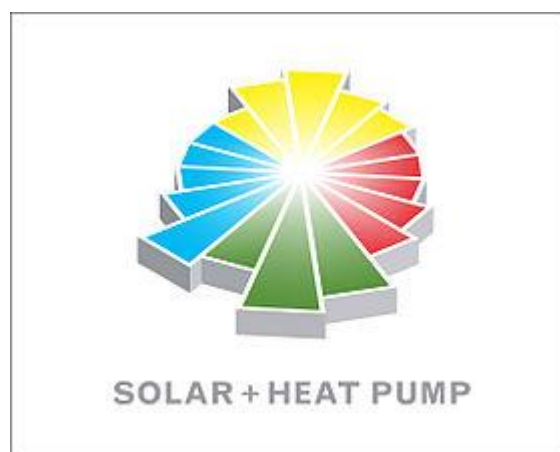
Dansk deltagelse i IEA Solar Heating and Cooling
Programme Task 44:

Varmepumper og solvarme i kombination

Slutrapport for EUDP projekt 64012-0139

Marts 2014

Redigeret af Ivan Katić, Teknologisk Institut



Dansk deltagelse i IEA SHC Task 44

Danmark har i perioden 2010-2013 deltaget i et projekt under det internationale energiagentur IEA's program for solvarme og -køling. Formålet med deltagelsen har dels været at bidrage med erfaringer fra Danmark vedrørende denne type kombinerede anlæg, dels at indhente interessante anlægstyper og videnskabelige data fra de øvrige partnere. Baggrunden for deltagelsen er, at der generelt er stigende interesse for varmeanlæg som er helt eller delvist baseret på vedvarende energi, men at der ikke med tilstrækkelig sikkerhed har kunnet gives anbefalinger om gode kombinationer hvor solvarme og varmepumper indgår.

Deltagelse er foregået med støtte fra EUDP programmet (J.nr. 64012-0139) og med følgende partnere:

- DTU Byg
- Cenergia
- Ekolab
- Nilan
- Varmt Vand Fra Solen
- Teknologisk Institut (projektadministrator)

Dette notat opsummerer de danske bidrag og resultater opnået under projektet. For en sammenhængende beskrivelse af resultaterne i Task 44 henvises til hjemmesiden <http://task44.iea-shc.org/> hvor rapporter og anden information frit kan downloades.

Beskrivelse af Task 44

Task 44 er initieret af firmaet BASE Consultants fra Schweiz og med deltagelse af en række europæiske lande samt få øvrige. Formålet med Task 44 er at optimere kombinationen af termisk solenergi og varmepumper, primært for individuelle boliger. Der er fokus på følgende områder:

- Småskala anlæg til forsyning med varme og varmt vand til boliger og som består af en hvilken som helst type solfangere samt varmepumpe.
- Systemer som tilbydes som færdig pakkeløsning fra en enkelt leverandør/fabrikant
- Primært elektrisk drevne varmepumper, men andre (termisk drevne) kan evt. inddrages også.
- Markedsførte systemer og avancerede løsninger.

Projektet er således afgrænset til at omfatte kombinerede anlæg til enkelte boliger, mens kollektive systemer er behandlet under Task 45: Large Scale Solar Heating and Cooling Systems.

Projektet er organisatorisk opdelt i følgende subtasks:

- A: Markedsførte systemløsninger.
- B: Målinger
- C: Simuleringer
- D: Udbredelse af resultater

Danske bidrag

I det følgende er de danske bidrag til projektet anført. Desuden har der været bidraget med kommentering af fælles dokumenter samt deltagelse i arbejdsgruppemøder.

Specifikke bidrag til IEA Task 44 gruppen:

Subtask A (Systemer og feltmålinger)

- Indsamling af data fra danske leverandører af kombinerede anlæg (se bilag)
- Rapportering af måledata fra renoveret hus i Ballerup med VP/sol varmforsyning
- Rapportering af SolarCompleet anlæg i Bolig for Livet, Århus
- Rapportering af måledata fra VP/sol system i lavenergihuset "Flamingohuset"
- Rapportering af måleresultater fra lavenergibebyggelsen Stenløse Syd, alle med VP18 anlæg fra Nilan kombineret med solvarme i parallel.

Subtask B (Laboratorieprøvning)

- Rapportering af testmetode som er anvendt på Teknologisk Institut for test af en varmepumpe samt solfanger med direkte ekspansion i absorbereren
- Rapportering af erfaringer fra Nilan VPsol anlæg opstillet på DTU

Subtask C (Modellering)

- Collector model Type 832 validering og dokumentation. (TRNSYS Modellen har været anvendt af andre projektdeltagere i Task 44)
- Notat om TRNSYS systemsimulering (se bilag)
- Specifikation og simulering af eksperimentelt system opbygget på DTU med Nilan varmepumpesystemet. EUROSUN 2012 18-20 september, Rijeka. Measurement and modeling of a Multifunctional Solar plus Heat-Pump system from Nilan Experiences from one year of test operation Bengt Perers, Elsa Andersen, Simon Furbo, Ziqian Chen, Agisilaos Tsouvalas

Subtask D (videnformidling)

- Afholdelse af temadag på DTU 14/4 2010 (Danvak)
- Afholdelse af Task Meeting, oktober 2012
- Industri workshop 8/10 2012
- Temadag på Teknologisk Institut 17/9 2013

Konferencebidrag:

EUROSUN 2010

AN IMPROVED DYNAMIC SOLAR COLLECTOR MODEL INCLUDING CONDENSATION AND ASYMMETRIC INCIDENCE ANGLE MODIFIERS. B. Perers

ESTEC 2011

MODELLING, MEASUREMENTS AND VALIDATION OF A SOLAR PLUS HEAT PUMP COMPACT UNIT FROM NILAN. B. Perers, E. Andersen, S. Furbo, A. Tsouvalas

ISES 2011

VALIDATION OF A DYNAMIC MODEL FOR UNGLAZED COLLECTORS INCLUDING CONDENSATION. APPLICATION FOR STANDARDISED TESTING AND SIMULATION IN TRNSYS AND IDA

Bengt Perers, et al.

EUROSUN 2012 18-20 september, Rijeka

MEASUREMENT AND MODELING OF A MULTIFUNCTIONAL SOLAR PLUS HEAT-PUMP SYSTEM FROM NILAN EXPERIENCES FROM ONE YEAR OF TEST OPERATION

Bengt Perers, Elsa Andersen, Simon Furbo, Ziqian Chen, Agisilaos Tsouvalas

PERFORMANCE OF SOLAR COLLECTORS UNDER LOW TEMPERATURE CONDITIONS: Measurements and simulations results

Mircea Bunea¹*, Sara Eicher, Catherine Hildbrand, Jacques Bony, Bengt Perers and Stéphane Citherlet

SHC 2012 9-11 juli, San Francisco

A SIMPLIFIED HEAT PUMP MODEL FOR USE IN SOLAR PLUS HEAT PUMP SYSTEM SIMULATION STUDIES

Bengt Perers, Elsa Anderssen, Roger Nordman, Peter Kovacs. Energy Procedia 00 (2011) 000–000

A TOOL FOR STANDARDIZED COLLECTOR PERFORMANCE CALCULATIONS INCLUDING PVT

Bengt Perers^{a,c*}, Peter Kovacs^b, Marcus Olsson^b, Martin Persson^b Ulrik Pettersson

Industry Workshop IEA Task 44, Teknologisk Institut, 8. Oktober 2012

OVERVIEW OF SOLAR THERMAL/HEAT PUMP SYSTEMS ON THE DANISH MARKET.

Ivan Katic

SHC conference 2013:

SOLAR HEAT PUMP – FLAMINGOHUSET

Poster præsentation

Øvrigt:

MASTER RAPPORT FRA TEST AF NILAN VP/SOL SYSTEM PÅ DTU. (Agisilaos).
Phd Thesis plus ett Journal Paper om Sol + VP (vejledning av Elisabeth Kjellsson vid LTH från DTU Byg)

Bilag: Udvalgte bidrag

Icopal Danmark A/S – Energy Roof

Sol, Air SHP S
HP skS, SH



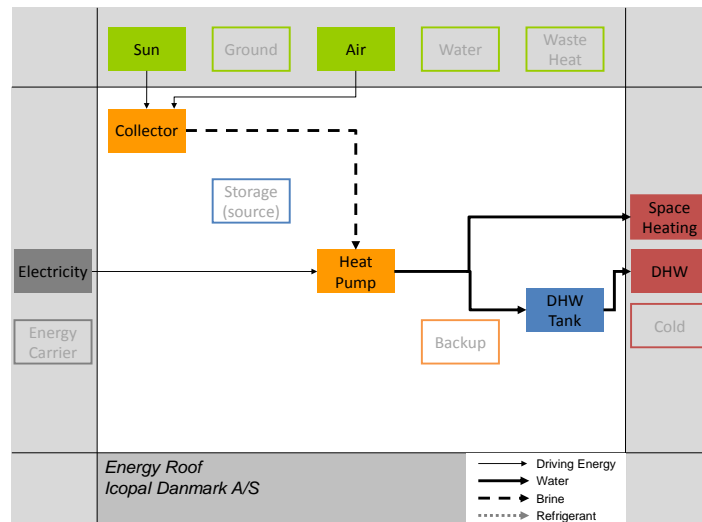
Internet address:

www.icopal.dk

Market Availability:

Directly from ICOPAL

Introduced to market in 2010, 2
units installed in total in DK

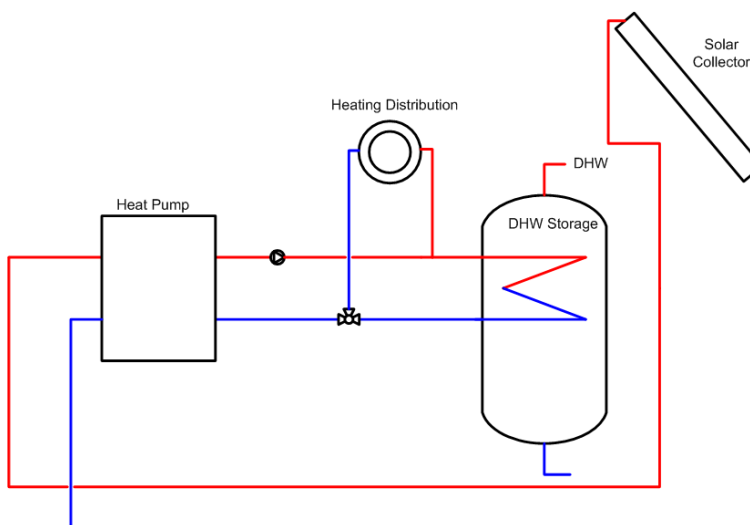


Short description:

The system consists of a site-built uncovered solar collector, integrated in the roof membrane made of black roofing felt. The heat transfer fluid passes the energy to a heat pump connected to the heat distribution system. The system can be used in combination with a ground source heat exchanger. The system is first of all suitable for buildings with large flat roofs, new or renovated, and where a large ground heat exchanger is not feasible.

Hydraulic scheme:

The system operates like an ordinary ground source heat pump, but in the actual system the heat comes from a mix of solar radiation, sensible heat from the air, rain and condensing moisture. The brine loop from the roof is conducted through a channel to the interior of the building, where the heat pump and domestic hot water tank is situated. Auxiliary heating is necessary for Danish winter conditions and is provided via an additional heat exchanger (boiler or electric) on the distribution and hot water system.



Collectors and collector loop:

The absorber is constructed like a floor heating system with polymer tubes laid in aluminium profiles. A 20 cm thick layer of Rockwool forms the back side of the collector. The collector fluid is a water/glycol solution and flows whenever the heat pump is running; i.e. there is a demand for heat or hot water. Flow rate is constant (High-flow). The heat exchanger is integrated in the heat pump module.

Heat and/or Cold Storage/s:

In the current version there is no storage, except the domestic hot water tank.

Heat Pump:

The heat pump is a water/water heat pump (Thermia/Danfoss; Evi-Heat e.g.).

Domestic Hot Water - DHW:

The actual configuration depends on the building installations

Space Heating - SH:

The actual configuration depends on the building installations

System Controller:

The collector loop circulation is controlled by the heat pump, and follows the demand for heat and domestic hot water. There is no correlation with solar irradiance or collector temperature.

Technical Data as recommended by supplier

Collector Area:	>60 m ²
Heat Storage nominal Volume:	Variable
Thermal Power Heat Pump:	>2,5 kW
COP (from data sheet):	<3,9 (Ax/Wxx,...)
Definition/Standard for COP:	EN 14511
Power Electric Back-Up:	Variable
Cold Storage nominal Volume:	n.a.

Nilan A/S – VP18 Compact Sol

Sol SHP Air, G
SkS SH, skS



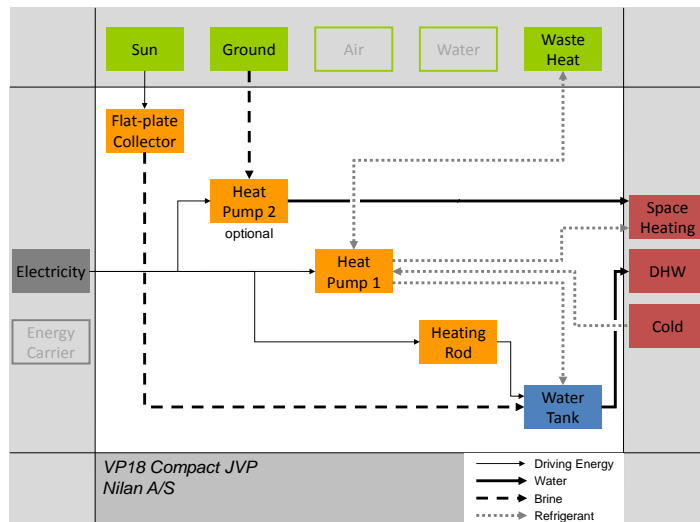
Internet address:

www.nilan.dk

Market Availability:

Available European Markets

Introduced to market in 2008

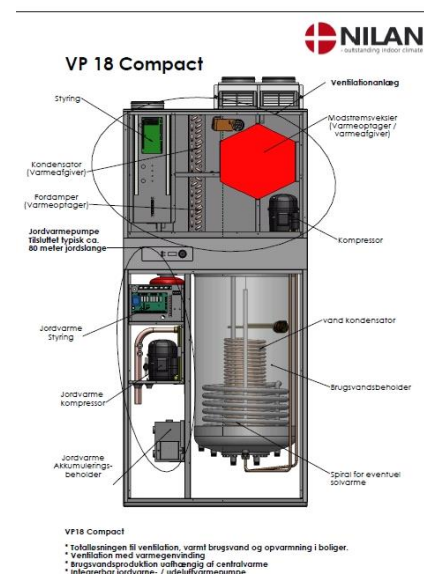
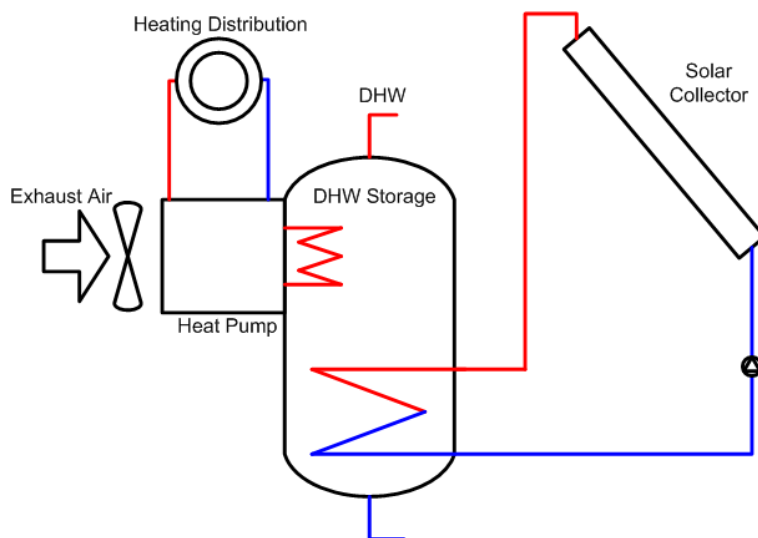


Short description:

The original unit is based on a heat pump for heat recovery of exhaust air that can be used to heat inlet air and provide hot water. A secondary, independent, water/water ground source heat pump can be installed in the same cabinet. Finally, a solar collector can be used as a supplement for hot water production. The unit is intended to be the only heating source in low energy / passive houses.

Hydraulic scheme:

Space heating is provided by floor heating via the secondary heat pump, part of the space heating is provided by warm air from the ventilation heat recovery system (heating after the heat exchanger). A desuperheater ensures a sufficient hot water temperature in the DHW tank. In the lower part of the tank, a solar loop heat exchanger is preheating hot water. (optional heat pump is not included in the figure below)



VP18 Compact
 * Inkluderingen af ventilation, varmt brugsvand og opvarmning i boliger.
 * Ventilation med varmegenvinding
 * Brugsvandproduktion uafhængig af centralforsyning
 Integreret jordvarme - udeluftvarmepumpe

Please add caption here

Collectors and collector loop:

The installer is free to use any suitable solar collector type using anti-freeze liquid. The pipes are connected to a separate pump unit and further on to the cabinet. The pump and controller is connected with a built-in sensor in the storage tank.

The flow type is normal (high) flow and the tank has a helix type integrated heat exchanger.

Heat and/or Cold Storage/s:

There is no dedicated heat store in the system except the DHW tank.

Heat Pump:

The air-hot water heat pump has direct evaporation in the exhaust air and a desuperheater/condenser in the storage tank.

Domestic Hot Water - DHW:

The DHW storage tank is relatively small in order to fit a standard cabinet, and furthermore the effective volume that can be used for solar storage is limited. The tank has two internal heat exchangers and an electric heating element.

Space Heating - SH:

Space heating can be provided in two ways: Via a condenser in the ventilation system or via a traditional water circuit connected to the separate ground source heat pump.

System Controller:

NILAN controller CTS 602 VP 18 compact. For the optional ground source heat pump JVP6 HP, a separate controller is used (LMC223)

Technical Data as recommended by supplier

Collector Area:	4 m² (range 1 to 5)
Heat Storage nominal Volume:	180 Litres
Thermal Power Heat Pump:	1 kW (range -kW to -kW)
COP (from data sheet):	3,6 (A20°C / W50°C)
Definition/Standard for COP:	EN 14511
Power Electric Back-Up:	1,5 kW (DHW)
Cold Storage nominal Volume:	n.a.
<i>Heat Storage Insulation:</i>	<i>50-80 mm (Foam)</i>
<i>Heat Storage: heat loss rate:</i>	<i>1,63 W/K</i>
<i>Max. DHW Flow Rate (10°C/ 45°C/ 60°C):</i>	<i>xx Liter/min</i>
<i>Dimensions of the complete unit (H/W/D):</i>	<i>2060 mm / 900 mm / 600 mm</i>

bold=should, *italic=optional*

Vesttherm A/S – VT2132

Sol SHP^{srS}
skS skS

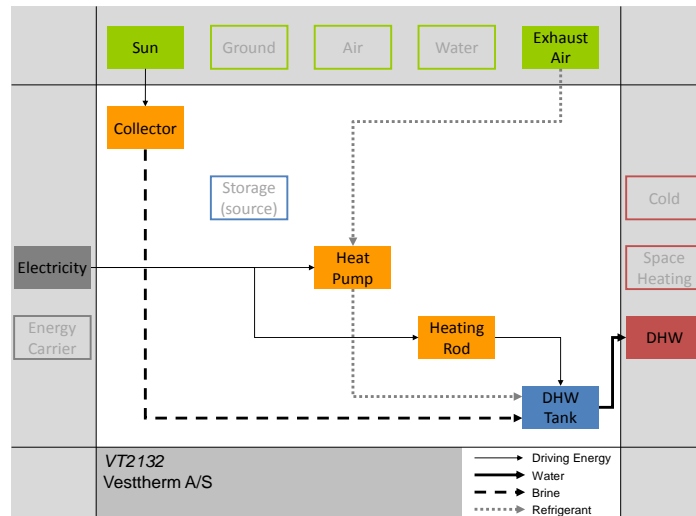


Internet Address:

www.vesttherm.dk

Market Availability:

DK, DE + most other EU
OEM manufacturer

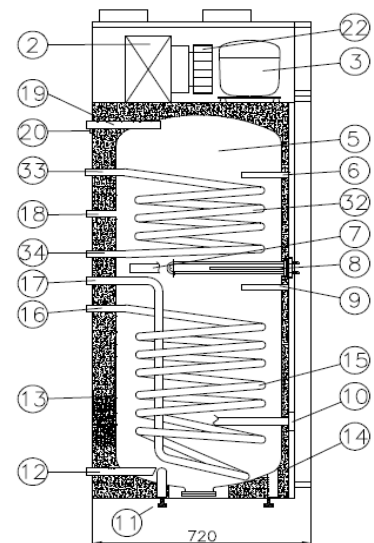
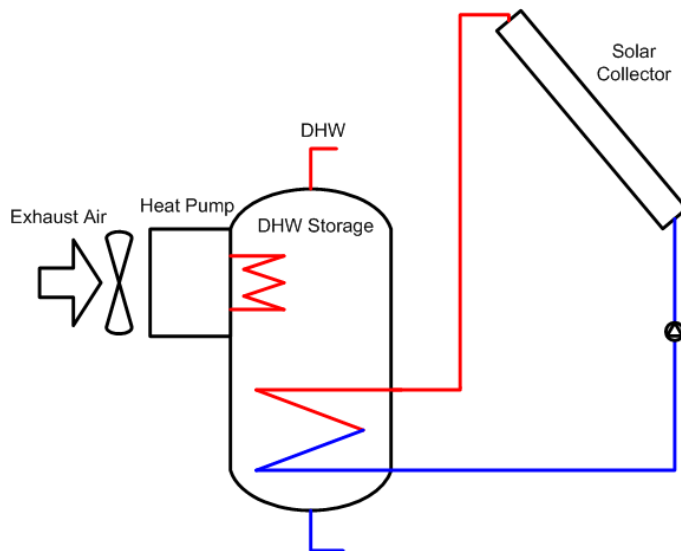


Short Description:

The heat pump is designed for hot water preparation, though a small amount of space heating could be delivered via the upper heat exchanger in the storage tank. The heat source is exhaust air from the ventilation system. The unit is prepared for solar collector operation via a heat exchanger in the lower part of the tank.

Hydraulic Scheme:

Solar energy can be discharged to a heat exchanger inside the DHW storage tank. If the temperature is insufficient, the heat pump (and an electric heating rod) can heat the upper part of the tank volume.



Simplified hydraulic scheme (left) and construction of heat pump / storage unit (right)

Collectors and Collector Loop:

The actual collector type is not critical as long as the performance is adjusted to the storage volume and heat exchanger area (1.5 m²). The system is designed for normal flow collector operation.

Heat and/or Cold Storage/s:

A stratified DHW tank is the only means of storage.

Heat Pump:

The compressor is of piston type and with the evaporator placed in the exhaust air duct. The condenser is integrated in the DHW tank. R134a is used as refrigerant. Defrosting function is integrated via internal bypass.

Domestic Hot Water – DHW:

DHW is prepared via tubular heat exchanger inside the tank.

Space Heating – SH:

No integrated space heating option.

System Controller:

The heat pump controller can be set up in various modes, but a separate controller is necessary for the collector loop.

Technical Data as Recommended by Supplier

Collector area:	5 m² (3 ... 6)
Heat storage nominal volume:	270 L
Thermal power heat pump:	1.85 kW
COP (from data sheet):	3.33 @ 20 °C air, 15/47 °C water
Standard for COP:	EN 14511(?)
Power electric back-up:	2 kW
Cold storage nominal volume:	n/a
<i>Heat storage insulation:</i>	
Heat storage heat loss rate:	0.7 kWh/24 h at 55/15 °C (DIN 8947)
Max. DHW flow rate:	850 L/h from 15 to 47 °C at 20 °C air
Dimensions of the complete unit (H/W/D):	1752 mm / 720 mm / 600 mm



Ballerup House

Date: September 2013

By Ole Balslev-Olesen

Institution Cenergia Energy Consultants.
Address Herlev Hovedgade 195, DK2730 Herlev.
Phone +45 44600059
e-mail obo@cenergia.dk

By Miriam Sánchez- Mayoral

Construction Engineering and student of Energy Architectural-Engineering.

1 Summary



Fig. 1: Photo of the south façade, before and after the energy renovation.

An energy renovation project of a single family house is analysed. The renovation demonstrates the possibilities to upgrade an old house for fulfilling modern requirements for energy efficiency in housing. A new solar heat pump system is a part of the renovation, as the heating system is changed from oil based heating to a solar heat pump system. The solar collector acts directly as an additional source of the heat pump and this configuration is denoted as “serial”.

A monitoring programme has been initiated in March 2013. The system performance is analysed based on measurements during 3 months. The period includes cold and sunny weather conditions, and represents typical system operating. The yearly system performance is found by extrapolating the three month data to a whole year by using regression analysis technic.

The monitoring result has shown that the estimated target has been achieved in practice by a seasonal performance factor of $SPF_{SHP+} = 2,62$. It approves that the simplified calculation tool can make an acceptable estimate of the energy savings of a renovation project of an older detached house. It also approves that the different energy savings technologies have a great impact on the space heating demand as a reduction of 70 % has been achieved.

The average net energy demand for domestic hot water is 2.4 kWh/day and varies up to 16 kWh/day. This means that a substantial part of the solar heat is accumulated in the soil. It also shows that the solar energy transferred into the soil has only a small impact on the yearly system performance factor.

2 Description of System

The new heating system is installed as part of a comprehensive energy renovation of an older detached house where an old oil furnace is replaced with a solar heat pump system. The energy renovation includes extra 200 mm façade- and roof insulation, new 3-layer energy efficient windows and mechanical ventilation with heat recovery.

The space heating demand is covered by a ground source heat pump with electric backup. The domestic hot water is heated in a 285 litre tank with an air to water heat pump supplemented by solar energy from 4 m² collector. Excess solar energy is accumulated in the ground by the heat pump ground pipes.

The considered solar heat pump configuration is denoted as “serial”. The collector acts directly as an additional source of the heat pump.

Technical Data

DWH system (HP2) - Genvex type Vanvex 285/S.

- 285 litre hot water tank.
- 1,5 kW heat pump (HP2).
- 1,0 kW electrical heating rod.
- 4,4 m² flat plate solar collector, Batec BA22 (slope/orientation=15 degree/south).

SH system (HP1) - Genvex type GS 4 Ground source

- Nominal output 4,3 kW heat pump.
- Nominal COP = 5,0 (EN14511 – external temperature = 7,0°C).
- 200 meter horizontal ground pipe system.
- Radiators with thermostat and flow temperature regulation.

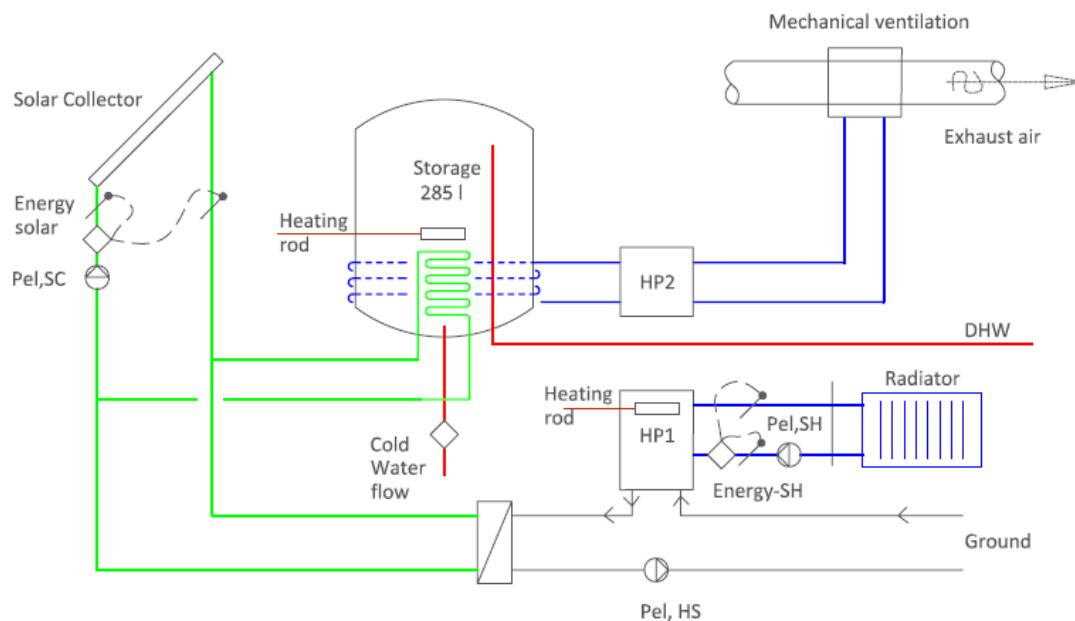


Fig. 2: Hydraulic scheme of the Solar Heat Pump system.

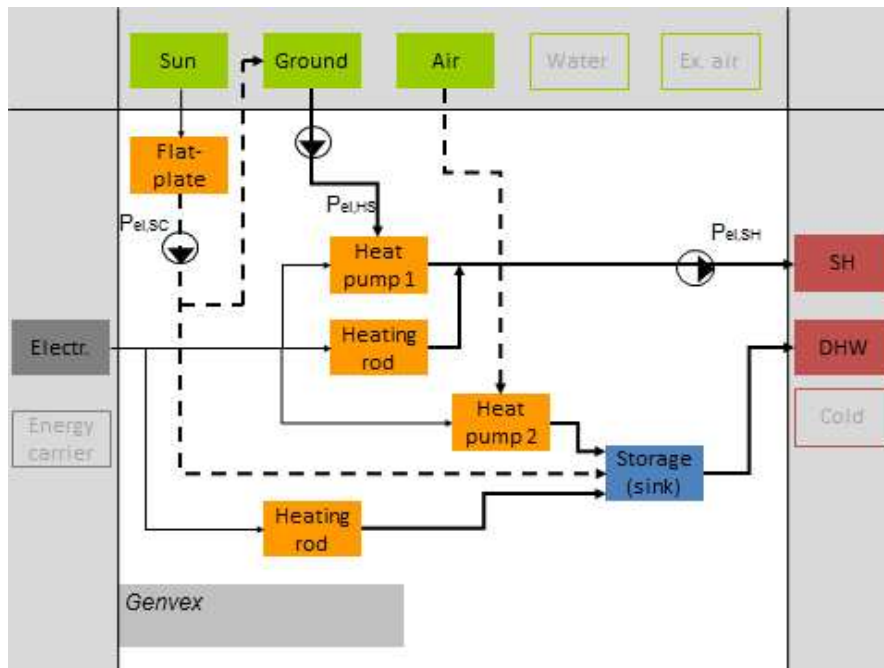


Fig. 3: Energy flow chart of the SHP.

3 Building Description

Detached house in one floor level occupied by two adults.

- Year of construction: 1972.
- Location: Ballerup (Denmark).
- Total heated floor area: 142 m².
- Yearly energy demands for SH and DHW: 193,4 kWh/m² (oile), 5,6 kWh/m² (electricity).

An energy retrofit project completed in 2012 including:

- New 3-layer low energy windows/doors.
- 200 mm façade insulation including base.
- Solar heat pump system.
- Mechanical ventilation with heat recovery.
- 200 extra roof insulation and skylights.
- Estimated yearly energy demands for SH and DHW: 23,4 kWh/m² (electricity) or 20,6 kWh/m² excluding fans.

4 Monitoring Procedure and Results

A monitoring program has been initiated 1 March 2013.

The following system characteristics have been monitored (10 min interval):

- Space heating, SH [kWh].
- Solar energy, [kWh].
- Electricity consumption of heat pump for space heating, [kWh].
- Total electricity of the solar heat pump system excluding fans, [kWh].
- Domestic hot water consumption, [kWh].

The following weather data have been monitored (1 hour interval):

- Ambient temperature, [°C].
- Solar radiation on horizontal, [Wh/m²].
- Wind velocity and direction, [m/s].

The performance of the system is analysed based on three month of measurements. The period was cold and sunny, and includes typical system operating conditions. The relationship between performance and weather data is found by regression analysis. The analysis is based on daily values. The following system performance has been found:

Electrical energy demand of the solar heat pump system plus energy distribution system:

$$P_{SHP+} = 16.9 - 1.00 \times T - 0.00017 \times I, \text{ [kWh/day]}$$

Electrical energy demand of the heat pump for space heating:

$$P_{HP1} = 15.1 - 0.91 \times T - 0.00012 \times I, \text{ [kWh/day]}$$

Thermal energy demand for space heating:

$$Q_{SH} = 38.6 - 2.27 \times T - 0.00035 \times I, \text{ [kWh/day]}$$

Solar collector output:

$$Q_{SC} = 0,00237 \times I + 0,261 \times T - 7,21, \text{ [kWh/day]}$$

Where:

T: daily mean temperature, [°C].

I: daily solar radiation on horizontal, [Wh/m²].

The correlations between monitored and predicted values are shown in the figures below. Using daily values from the Danish Test Reference Year the yearly space heating demand is calculated and shown in Fig 4 – 6 as monthly values.

The domestic hot water is monitored by the volume. That means the energy needed is calculated as:

$$Q_{DHW} = \text{Volume} \times 4.2 \times (55 - 10) / 3.6, \text{ [kWh/day]}.$$

Where

Volume: daily average domestic hot water usage, [m³/day.]

The monitored Volume is 0,046 m³/day or 118 l/year per heated floor area and is lower than the standard figure according to norms: 250 l/year per heated floor area. The daily net energy demand for domestic hot water is then 2.42 kWh/day or 881 kWh/year.

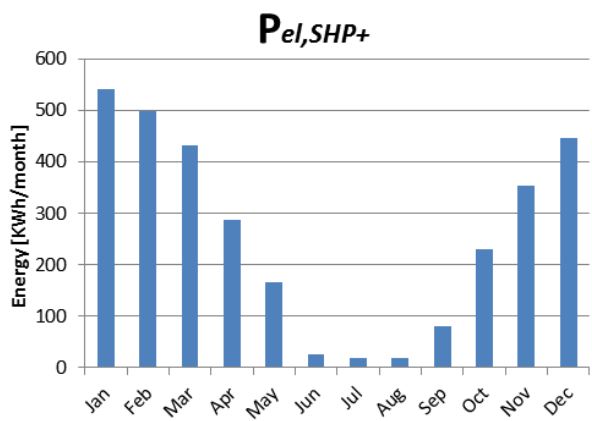
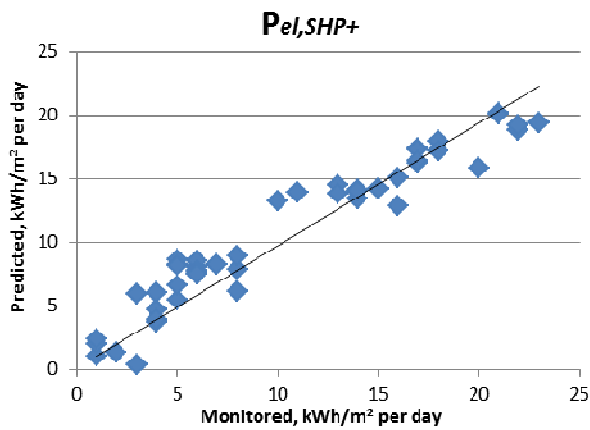


Fig. 4: correlation between monitored and predicted power demand of the solar heat pump system ($P_{el,SHP+}$), and the monthly power demand predicted by using the Danish Test Reference Year.

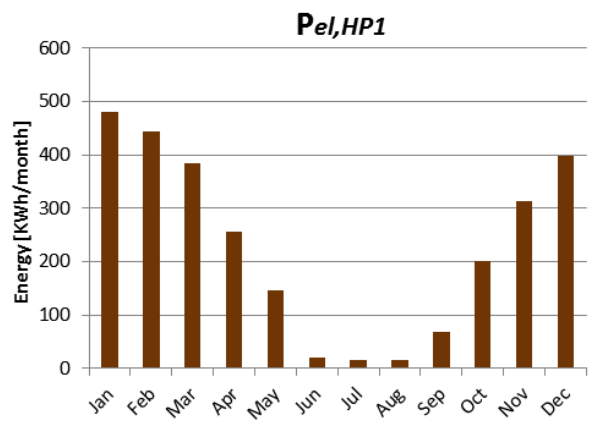
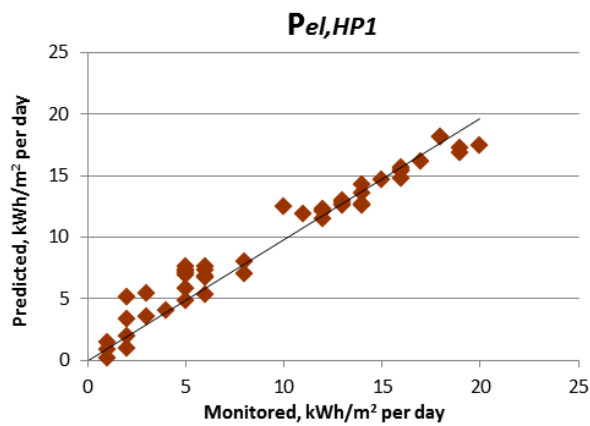


Fig. 5: correlation between monitored and predicted power of the space heating heat pump $P_{el,HP1}$, and the monthly power demand predicted by using the Danish Test Reference Year.

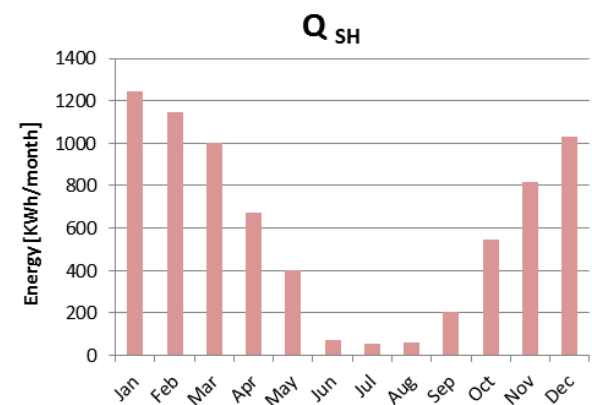
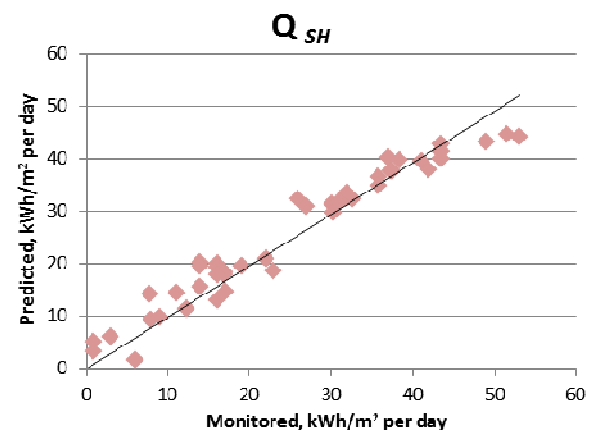


Fig. 6: correlation between monitored and predicted space heating demand Q_{SH} , and the monthly space heating demand predicted by using the Danish Test Reference Year.

The key figures of the system are then:

Energy demand for solar heat pump plus energy distribution system.	$P_{el,SHP+}$	3100 kWh/year
Energy demand for space heating heat pump.	$P_{el,HP1}$	2742 kWh/year
Energy demand for space heating.	Q_{SH}	7255 kWh/year
Energy demand for domestic hot water.	Q_{DHW}	881 kWh/year
Energy output of the solar collector.	Q_{SC}	1351 kWh/year
Seasonal coefficient of performance	$SCOP_{HP1} = Q_{SH} / P_{el,HP1}$	2.65
Seasonal performance factor	$SPF_{SHP+} = (Q_{SH} + Q_{DHW}) / P_{el,SHP+}$	2.63

The average net energy demand for domestic hot water is 2.4 kWh/day corresponding to 880 kWh per year. Measurements show that the solar output varies up to 16 kWh/day. This means that a substantial part of the solar heat is accumulated in the soil. Based on the measurements, the solar is calculated and shown by month in Fig. 7. It is evident that a large part of the solar output during summer is accumulated in the soil.

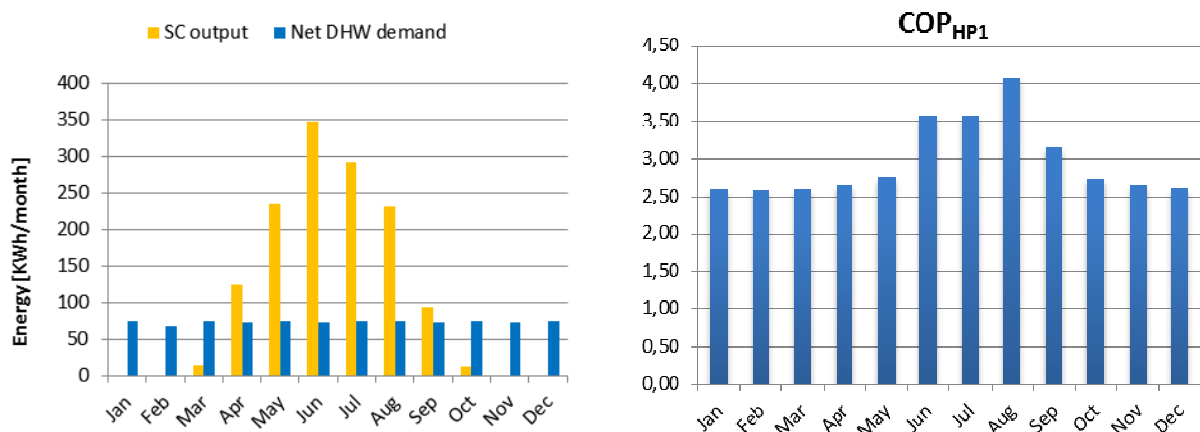


Fig. 7: Left: Solar collector output and the net energy demand for domestic hot water. Right: Coefficient of performance of space heating heat pump.

Measurements show that solar energy is accumulated in the soil by the heat pump ground collectors and re-used by the heat pump for space heating. Higher temperature of the soil will improve the coefficient of performance of the heat pump COP_{HP1} . The measured COP_{HP1} is shown in Fig. 7 month by month and it appears that the COP is higher during summer months. In these months, there is typically no space heating demand and the higher COP factor cannot be utilised in practice.

5 Simulation

The energy target of the project was calculated in the design phase by a simplified month by month calculation tool. The target was a yearly energy demand for space heating of 41.7 kWh/m² and net energy demand for DHW of 13,1 kWh/m² and a total electricity demands excluding fans of 20,7 kWh/m². The monitoring programme has shown a lower hot water

usage and a higher air infiltration and finally the COP factor is adjusted accordingly to the manufactory specification. The energy demand with the adjusted specifications has been calculated with the same tool. The results are given in the table below together with the corresponding monitored values.

Table 1: Key figures of the yearly energy demands in kWh per heated floor area.

	Reference	Target calculation	Adjusted calculation	Monitored
Q_{SH}	193.4	41.7	61.7	51.1
Net Q_{DHW}	(SH: 159)	13.1	6.2	6.2
$P_{el,SHP+}$		20.7	24.9	21.8
SPF_{SHP+}		2.65	2.73	2.63

The monitoring of the energy renovation project has shown that the target has been achieved. It approve that the simplified calculation tool can make an acceptable estimate of the energy savings of a renovation project of an older detached house including a solar heat pump system. It also approve that the different energy savings technologies have a great impact on the space heating demand as a reduction of 70 % has been achieved.

6 Project Background

Two houses from the early 70's have been renovated as part of a national demonstration program aimed at promoting energy renovation in Denmark.

One of these houses has changed the heating system from an oil based heating to a solar heat pump system. The project demonstrates the possibilities to upgrade an old house for fulfilling modern requirements for energy efficiency in housing. The project is coordinated by Cenergia in cooperation with the Municipality of Ballerup and suppliers of energy savings technologies. The project has received financial support from the Energy Agency.

The house is a detached single-family house on 142 m² - built in 1972 in yellow stone without a basement. Previously there was not made any energy improvements of the house and the original oil burner was still in use. The oil tank was to be scrapped, which together with rising energy prices spur thoughts of an energy renovation of the owners.

7 Literature / Reports

- Thermal Performance of buildings – Calculation of energy use for space heating and cooling. ISO 13790.
- Danish Building regulation BR10.
- Definition of Main System Boundaries and Performance Figures for Reporting on SHP Systems. A technical report of IEA Task 44, Subtask B, Date: 28. December 2012. Ivan Malenković, AIT Austrian Institute of Technology GmbH, Energy Department, Giefinggasse 2, 1210 Vienna, Austria.



Flamingohuset

Date: Februar 2013

By Ole Balslev-Olesen

¹Institution Cenergia Energy Consultants.
Address Herlev Hovedgade 195, DK2730 Herlev.
Phone +45 44600059
Fax
e-mail obo@cenergia.dk

1 Summary



Figure 1: Photo of the south facade

The house is a detached house of 200 sq.m. built as a modern low-energy house in one floor level. The house is based on a build system where the outer wall consists of expanded polystyrene blocks that are filled with concrete and covered with plaster. The house has been completed in 2008/09, and a family of two adults and two children have moved in.

The house is heated with a heat pump and solar as an additional source of heat. The heat pump extracts heat from the ground and supplies heat for space heating and domestic hot water. The solar thermal system heats a hot water tank and excess solar heat is transmitted to the ground. The hot water tank acts as a buffer for the heat pump. Earth tubes are connected to the ventilation system and can act as a cooling system during hot summer days. There is solar PV system on the south facing roof as additional electricity supply. There is also installed a rainwater system utilizing rainwater for toilet flushing.

The actual heat consumption is larger than the estimated, but the indoor climate is good. Water consumption is 70 m³ per year and corresponding to the expected. Without rainwater system the consumption would have been the double. The heat pump has given the owner some challenges, partly with the commissioning of the system and partly because it has been necessary to replace some components. Recently, the heat pump is replaced in April 2012 after which the system has been running stable with a higher efficiency.

The energy consumption is measured during the last four years. There has been an extensive monitoring program where significant energy flow and temperatures are monitored. From the project website instantaneous values can be read.

2 Description of System

The house is heated with a heat pump and solar system with 8 m² of solar collectors. The heat pump delivers heat for space heating via a floor heating system and to a 300 litre hot water tank. The heat from the hot water tank can be fed back to the space heating. The hot water tank acts as a storage tank for the heat pump and for the solar system. Excess heat from the collector is transferred to the ground and increases the temperature of the soil to the benefit of the COP.

The heat pump is equipped with a 100 litre water tank for utilising the superheated gas.

Solar cells are mounted on the roof.

3 Technical Data

Technical specifications of the systems:

- 6 kW heat pump.
- Earth pipes
- Solar heating system
 - 8 m² solar collector with a heat loss coefficient of 3.5 W/m²K.
 - South orientation and collector slope of 35 degree.
 - 300 l storage tank (DHW).
- Mechanical ventilation with heat recovery
 - Temperature efficiency 80 %.
 - Energy for air movement 1,0 kJ/m³.
- Photovoltaic on the south oriented roof surface.
 - PV Output 1,720 kWp.
 - Energy produced (AC) 1471 kWh/year.
 - Surface area: 13,8 m².
 - System efficiency: 9,0 %
- Energy efficient lighting.
- Energy efficient pumps and fans.

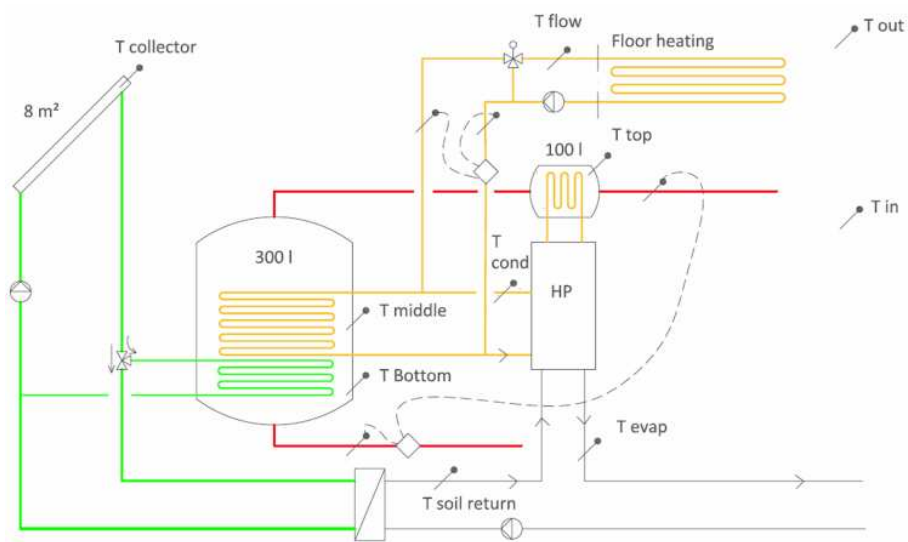


Figure 2: Hydraulic scheme of the Solar Heat Pump system.

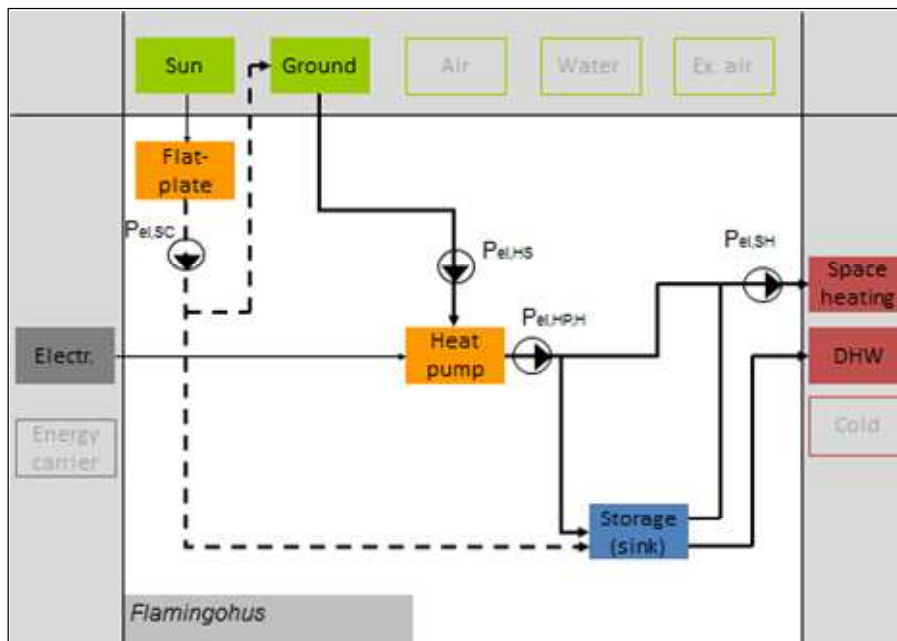


Figure 3: Energy flow chart of the SHP.

4 Building Description

The house was built as a low-energy house with the following design parameters:

- Single-family house in one floor level with a heated floor area of 166 m².
- The house is ventilated by mechanical ventilation with heat recovery.
- The house meets the low energy class 1 of the Danish Building Regulation BR08. The house is insulated with approximately 400 mm insulation in the roof and the floor and walls have a thickness of 400 mm with an U-value of 0.13 W/m²K.
- The house has a window area of 29.1 m² equivalent to 17.5% of the floor area. The average U-value of windows and doors is 1.15 W/m²K.
- The house is finished in 2008.
- The house is located in Taulov in Jutland with a climate similar to the average in Denmark.
- The house contains a living room, kitchen, 5 bedrooms, a bathroom and a toilet.
- The house specific transmission loss is 3.9 W/m² and the annual energy needs for space heating is estimated to 18.0 kWh/m². The house is heated by floor heating with a flow temperature of 40 °C and cooling at 10 °C.
- The energy demand for domestic hot water is 21.2 kWh/m² and includes losses from installations. The annual hot water consumption is 250 l/m² by a tapping temperature of 50 °C.



Figure 4: Expanded polystyrene blocks filled with concrete.



Figure 5: South/east façade.

5 Monitoring Procedure and Results

There are detailed measurements of the energy demands and the heating system performance. There are measurements from 5 electrical power meters, 2 energy meters and 10 temperatures and the sunshine hour. The measurements are available as hourly values during a period from 2009 to 2012.

The system performance of the system in 2012 is given in Table 1 as monthly value. The monitored electricity consumption of the heat pump (EL HP) includes all pumps and the heating control system. All other electricity use (EL Basic) includes lighting, fans and electrical equipment installed in the house. The heat pump's total electricity consumption in 2012 was then 4044 kWh.

Table 1: Monitored data (year 2012).

	Electricity use			Electricity production			Heat consumption		
	El basic kWh	EL HP kWh	Sum kWh	EL PV kWh	EL GRID kWh	Sum kWh	SH kWh	DHW kWh	Sum
Jan	369	817	1186	67	1119	1186	2014	148	2162
Feb	378	793	1171	93	1078	1171	1806	150	1956
Mar	315	352	667	205	462	667	841	127	968
Apr	366	163	529	228	301	529	514	68	582
May	335	128	463	286	177	463	248	256	504
Jun	368	70	437	244	194	438	54	146	200
Jul	318	49	367	270	97	367	0	82	82
Aug	335	27	362	261	101	362	0	146	146
Sep	311	102	413	157	256	413	155	151	306
Oct	321	287	608	119	489	608	758	170	928
Nov	378	476	855	46	809	855	1318	236	1554
Dev	437	779	1215	12	1204	1215	1712	187	1899
Year	4229	4044	8273	1987	6286	8273	9420	1867	11287

The electricity consumption is covered by electricity from solar cells (EL PV) and from the general electricity grid (EL GRID), a total of 8273 kWh.

The heat consumption for space heating (SH) and domestic hot water (DHW) have been at 9420 kWh and 1867 kWh. The normalized space heating demand is 9343 kWh.

The seasonal performance factor is calculated as:

$$\text{SPF}_{\text{SHP+}} = (9420 + 1867) / 4044 = 2,79 \text{ (2.77 normalized).}$$

In 2012, there is measured an annual seasonal performance factor of 2.79.

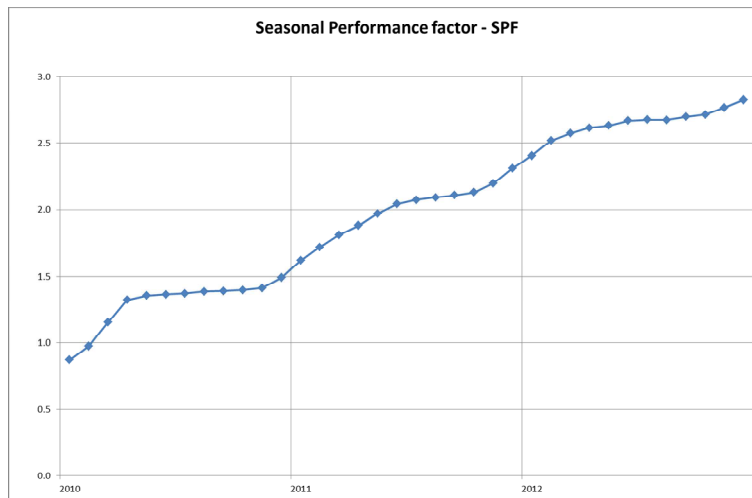


Figure 6: The development in system performance factor during three years. Each point in the graph represents monitored data for one year.

There have been commissioning problems and several parts of the system are replaced. Recently, the heat pump is replaced in March / April 2012. This has meant that the system has been steadily improved and development in the system performance factor is plotted in Figure 6. The seasonal performance factor for 2012 is 2.79 and it is expected that it will be even higher when the new heat pump has been operating during a whole year.

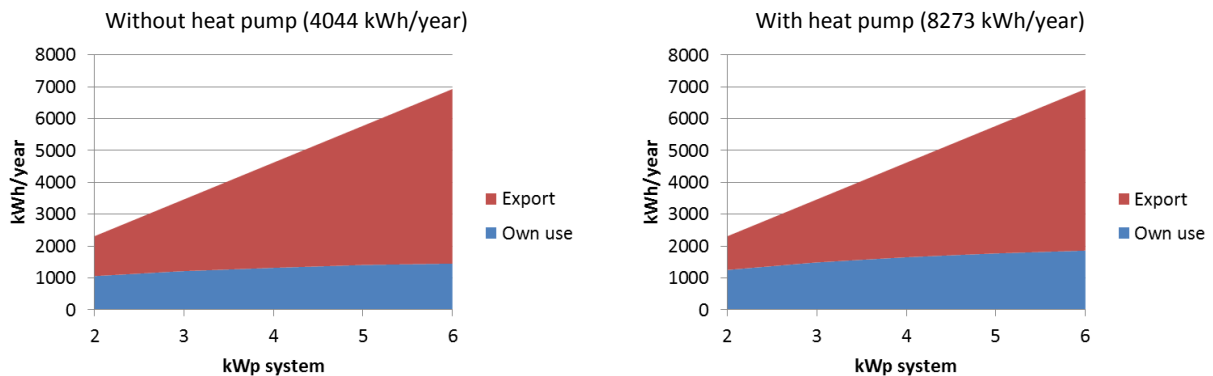


Figure 7: Proportion of PV power that are exported with and without heat pump.

The electricity production from the PV system in 2012 was 1987 kWh and the total electricity consumption was 8273 kWh of which 4044 kWh was used for the heat pump, circulation pumps and control.

The electricity production and the electricity consumption is monitored hourly, and it is possible to determine the proportion of the PV power which is not used in the house and then exported to the grid. The measurements show that 50% of the PV-power is exported without heat pump and 41% if the heat pump is included. Assuming unchanged consumption but with an increased PV area a larger share is exported, as shown in Figure 7. It appears that the own use only increase slightly if the PV-area is increased or if the consumption is increased by a heat pump for heating.

6 Simulation

In order to get a building permit in Denmark building energy performance must be documented through calculations. Energy from solar thermal and solar PV can be included in the calculations. The calculations of the thermal performance of the building follows the standard ISO 13790, which is a simple model based on monthly values. Space heating demand is calculated to 18.0 kWh/m². The net energy demand for domestic hot water excluding losses is calculated to 11.6 kWh/m². The estimated monthly values are shown in Figure 8 together with the monitored values and yearly values are shown in Table 2.

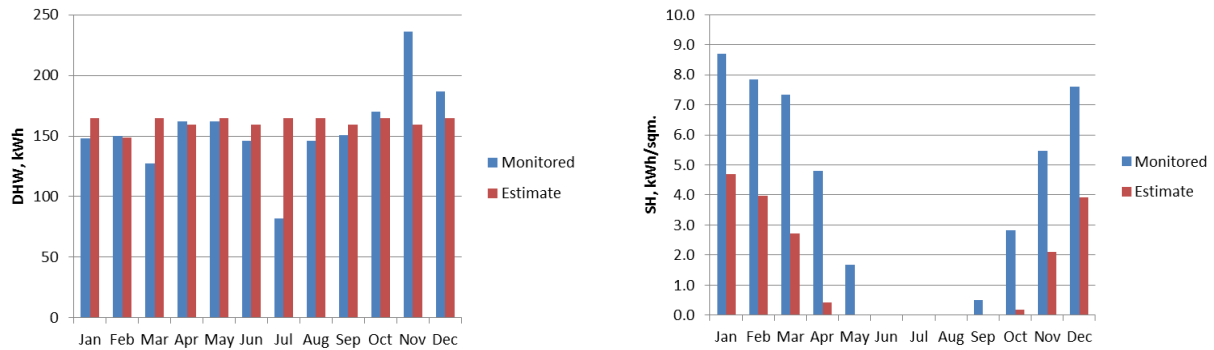


Figure 8: Monitored and calculated energy consumption for domestic hot water (DHW) and space heating (SH). The monitored data are from 2012.

Table 2: Yearly data (year 2012) of the monitored and calculated energy consumptions. The monitored space heating is normalised accordingly to an average year and the heated floor is 200 m².

	Estimated		Monitored	
	[kWh]	[kWh/m ²]	[kWh]	[kWh/m ²]
SH (200 sqm)	2990	18.0	9343	46.7
DHW	1940	11.7	1867	9.3
SH+DHW	4930	29.7	11210	56.0
EL HP	2035		4044	
SPF SHP+	2.42		2.77	

In autumn 2011, the residential area is increased from 166 to 200 square meters by utilising the attic.

As shown in the Table 2, there is a good correlation between measured and calculated energy requirements for the domestic hot water. In contrast, the measured energy needs for space heating is more than two times larger than the calculated value. It is a significant difference and is not further verified in this report.

There is a reasonable correlation between the measured and calculated seasonal performance factor (SPF). The calculated heat pump performance does not include the effect of accumulated heat from the solar heating system in soil. There is a need for further development of heat pump model in order to achieve a more reliable calculation which takes into account the accumulation of solar heat in the soil.

7 Project Background

The house has been built by Annie and Steen Jensen on a private basis. Many different energy saving measures has been installed and combined with heating with heat pump and solar. The house is equipped with a comprehensive monitoring system that generated the data for the last 4 years. It has been a great benefit to the work of the IEA Task 44 to use this data and I thank hereby Annie & Steen Jensen that they have made this data available to the IEA Task 44th

Additional information can be found on the website <http://www.flamingohuset.dk>.

8 Literature / Reports

<http://www.flamingohuset.dk>.

Thermal Performance of buildings – Calculation of energy use for space heating and cooling. ISO 13790.

Danish Building regulation BR10.

Solar Compleet, Home for Life, Lystrup, Denmark

ekolab

Summary

Home for Life is a single-family house, designed to produce more energy than it consumes and at the same time let in plenty of daylight and fresh air. It is the first of 8 Active Houses built by VKR Holding in Europe.

Space heating and DHW is supplied by Solar Complete from Sonnenkraft, which uses energy from the air and from solar panels.

Annual space heating demand:

- Calculated net demand (compliance tool Be06): 15.3 kWh/m²
- Measured 1st year (2009/2010): app. 50 kWh/m²

The difference between calculated and measured demand is partially due to start-up problems, user behaviour and lower air-tightness than expected.

After adjustment of start-up problems and improvement of air-tightness, the expected demand is app. 34 kWh/m². The equivalent normalised demand (to be compared to calculated net demand), is app. 29 kWh/ m².

Annual DHW-demand:

- Estimated: 18.3 kWh/m²
- Measured 1st year: app. 10 kWh/m²

CONTACT

Klaus Ellehaug
ke@ekolab.dk

Name Surname
name.surname@bla.blb.blub

Description of System Concept

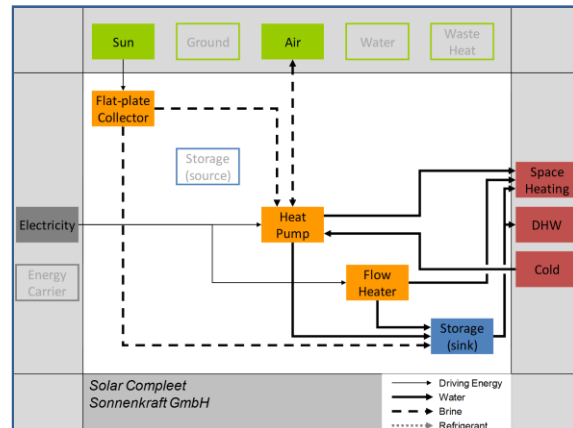
Solar Compleet combines an air heat pump with a thermal solar collector, and produces heat for domestic heating and DHW. The air heat exchanger and the solar collector are linked by a common brine circuit. The thermal solar collector delivers heat directly to the storage or to the brine circuit before it enters the heat pump, thus increasing both the COP of the heat pump and the solar yield. DHW is produced in a heat exchanger using heat from the top of the storage.

Technical Data

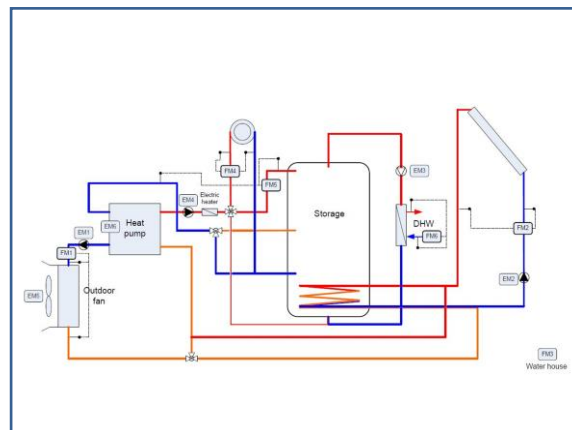
- Solar Compleet 8kW, COP=3,6 (EN14511) Refrigerant: R407C. Capacity: 7.2kW (EN14511) Immersion heater 3/6kW. Scroll compressor, nominal output: 2.30kW.
- Defrosting concept: Warm refrigerant from the bottom of the storage.
- Solar collector: 6.72 m², orientation south, 30° slope
- Storage: nominal volume 800L
- DHW: Flow temperature from storage 65°C.
- Circulation pumps: class A pumps

Building Description

- Single-family house, 190 m²
- Calculated to be energy-self-sufficient on a yearly basis.
- Certified building standard: Danish Low Energy Class 1
- Year of construction: 2009
- Danish climate
- Calculated annual space heating demand: 15.3 kWh/m², design supply and return temperature: 50/30 °C
- Expected annual heating demand after initial improvements: normalised 29 kWh/m², expected 34 kWh/m²
- Annual DHW demand: calculated 18.3 kWh/m², measured app. 10 kWh/m², design tapping temperature 55°C
- PV panels 50 m², orientation south, 30° degree slope.



SHP Generic System



Hydraulic scheme



Home for Life, Lystrup, Denmark

Monitoring Procedure and Results

Ekolab has been granted access to measurement data on the Active House web-page: www.activehouse.info/mima.

Measurement period: Heat: Nov. 2010 – July 2011.

Electricity: Nov. 2010 – Dec. 2011

Energy production and consumption is available at kWh measurements with intervals of one hour. The electricity consumption is available as:

- Total for the whole system, including heating and DHW distribution systems
- Separate measurements for specific parts of the system.

The separate measurements do not include the back-up heater (BU) nor the heating and DHW distribution systems. The data available was used to estimate the electricity consumption of the heating and DHW distribution systems (55kWh/month), which was then subtracted from the total electricity consumption of the whole system.

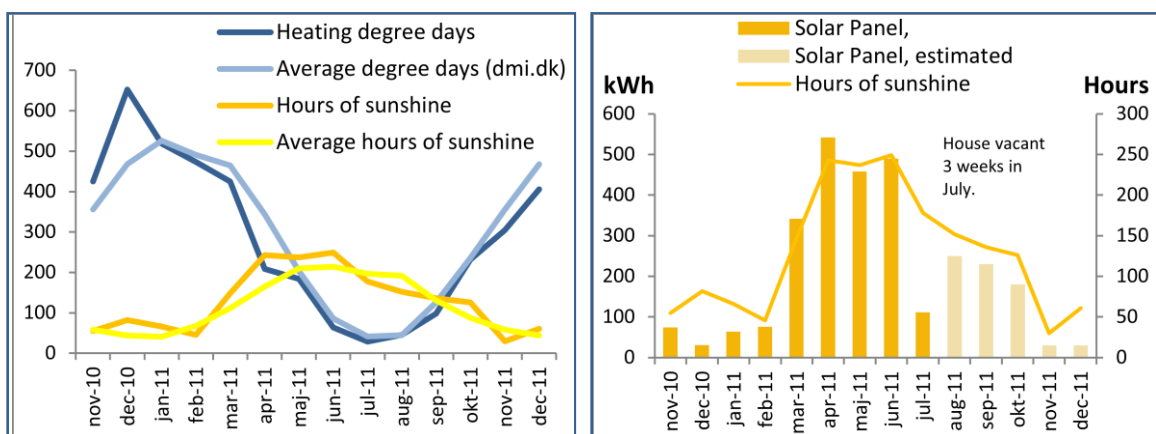
Unfortunately, the equipment measuring heat production have been out of order since August 2011. We have therefore estimated heat production from Aug.-Dec., based on climate data (heating degree days and hours of sun) and the systems performance in the previous months. Through variation of the estimated data and variation of the calculated period, we have concluded on an interval for the systems expected $SPF_{H,SHP}$.

We have compared the climate during the measurement period to the average Danish climate, to assess the validity of our data. (See figure below.)

The data have been summarised per month, and the $SPF_{H,SHP}$ calculated to visualize performance throughout the year. As expected, there is a large variation throughout the year, but the very high SPF during the summer, has little impact on the total SPF. In spring and autumn, the systems performance clearly benefits from the solar collectors. The solar collectors contribution in winter is small, but they do contribute to the performance of the heat pump, and they are active during months were traditional solar collectors are inactive.

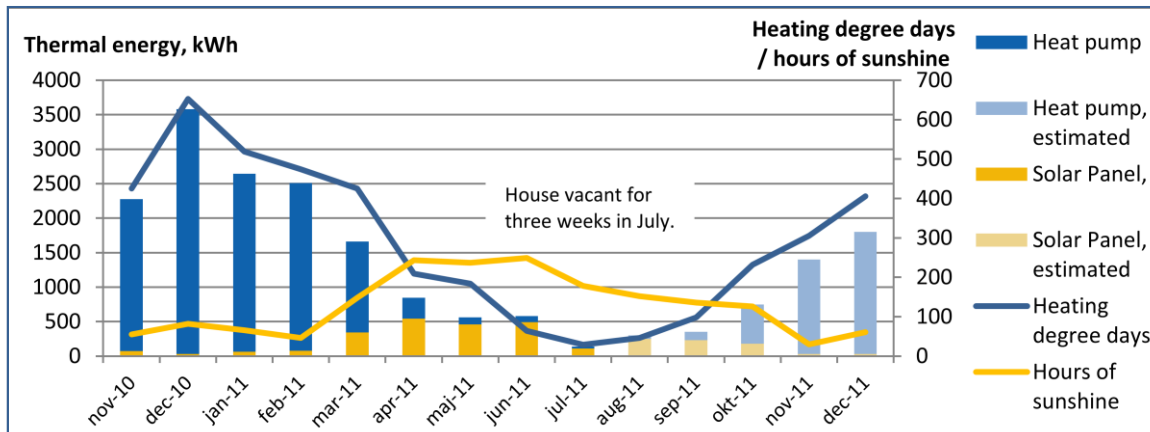
Conclusion: Solar Compleet has a $SPF_{H,SHP}$ between 3,7 (cold winter) and 4,6 (mild winter) in typical Danish climate.

Recommendations: Winter performance might benefit from optimizing the solar panels slope for winter conditions. (The panels produce excess heat in summer.)

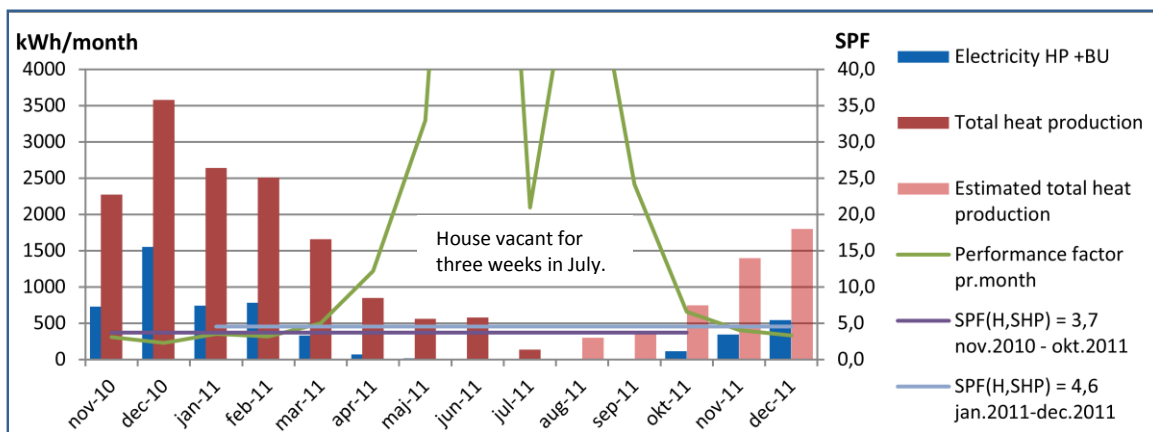


Actual climate – Average climate

Solar panel, measured and estimated



Heat production (solar panels + heat pump), measured and estimated



Electricity consumption (HP+BU), total heat production and SPF

Simulation

Economy, Ecology and Cost

Investment and installation costs are not known.

The combination of air and sun gives the system a SPF that can compete with ground source systems. (However, ground pipes have a longer expected lifespan than solar panels.)

The SPF is higher than for traditional air/water heat pumps, thus limiting CO₂ emissions.

The solar panels are active throughout the year because the lower temperatures are useful for the heat pump. The panels' total yield is therefore higher than for traditional solar heating.

Project Background

Home for Life is one out of 8 Active Houses built in Europe by VKR Holding. The house was designed by Aart Architects, Esbensen Engineering Consultants and Sloth Moeller Engineering Consultants in cooperation with Window Master and the VKR Holding companies Velfac and Velux. The house was built by KFS Boligbyg A/S.

The space heating and DHW system is Solar Compleet from Sonnenkraft, which is also a VKR Holding company.

The performance of Home for Life is monitored and evaluated by Industrial PhD student Gitte Gylling Hammershøj Olesen in collaboration with WindowMaster and VKR Holding.

External research related to Home for Life:

- Aalborg University (indoor climate)
- The Alexandra Institute (energy consumption, indoor climate and user behavior)
- Engineering College of Aarhus (daylight, energy and indoor climate)

Literature / Reports

Surname, X and Surname, Y: Heat pump goes solar thermal. Field test results. In: Proceedings of ConferenceName, Year, Technology Town (Solar Country)

Surname, X and Surname, Y: Performance factors higher than 12. Solar heat pump wins Nobel prize. In: JournalTitle number, year, p. 423

{please feel free to list non-English literature as well}

{please feel free to add a link to any online reports}

Leave this page free. In a double-side printed compilation, it will be the left page, the title page of the following documentation the right page.

Laboratory Test Report without T44/A38 System Boundaries

DHW heat pump/solar collector system test

Ivan Katic, Danish Technological Institute

October 2012

Institute/Company: Danish Technological Institute
Summary written by: Ivan Katic, March 2013
Published in (if available): Lasse Sjøe, October 2009, Test Report no 288028a, DTI Heat Pump Lab

What was the purpose / idea of the study?

- Experimental investigation of the system performance was carried out for a commercial customer who wanted to import the system package *Solar PST300IS*, a DHW heat pump with direct evaporation of the refrigerant in two uncovered solar collectors.

Method used

- EN255-3 is used, except that the requirement for long term testing could not be fulfilled. The standard test method is normally used for test of DHW heat pumps in our lab.

Test procedure

1. The storage tank is filled with cold water. The time and energy consumption for heating to the desired temperature is measured.
2. COP under load is determined. A volume of 150 l (half tank) is drawn off when the thermostat switches off the heat pump for the first time. When the water has been re-heated and the thermostat switches off again, another 150 l is tapped. COP is determined as the tapped energy divided by the supplied electricity to the unit.
3. The average temperature of the tapped water under maximum load is determined by continuous tapping until a hot water temperature of 40°C has been reached.
4. Determination of stand-by power consumption during 48 hours with closed valve.
5. After sequence #4 water is tapped continuously until a hot water temperature of 40°C has been reached. The maximum volume of useful hot water at 40°C is calculated from the temperature and flow recording, assuming that cold water for mixing at the tap valve has a temperature of 15°C

Description of the tested system and measurement equipment

System classification: $Sol, Air_{HP} S_{HPS} S_{SKS}$

Short description of the control system / operation modes:

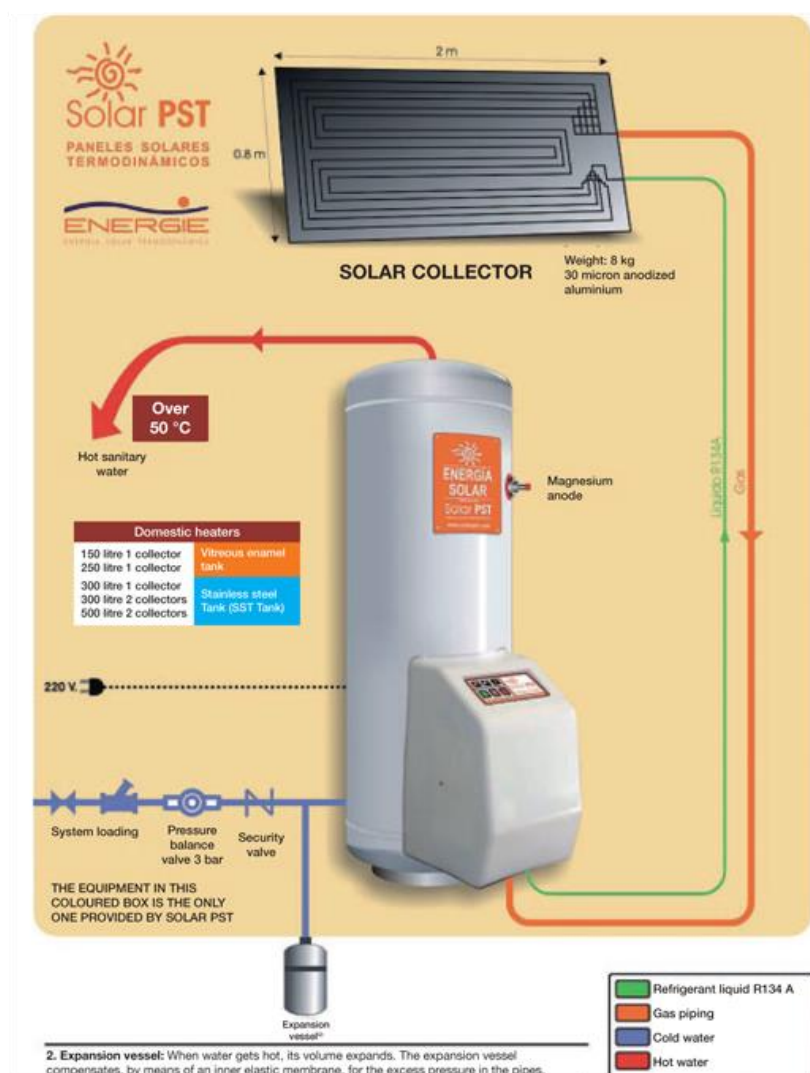


Fig. 1 System as described by the manufacturer (www.solarpst.com)

The system is providing tap water only and has an integrated control system that responds to the measured temperature of the storage tank.

Laboratory equipment:

- Platform without shadows for installation of solar collectors
- Water and electricity supply to the main unit
- Computer and tapping robot for controlled DHW consumption
- kWh meters, flow meters, temperature sensors, pyranometer, humidity meter

The system was installed in the laboratory according to supplier's instructions (not in climate chamber as usual heat pump tests) The solar panel was installed on the roof of the building, more than 5 m above the tank and the length of the piping was 2 x 11.1 m. The 1.6m² absorber plate was

mounted due south with an inclination of 45 degrees. The circuit was charged with 1,4 kg refrigerant R134a.

Before the test the built-in electric heater was disconnected so only the heat pump's energy consumption was measured.

The following values have been measured:

- Ambient temperature near the solar panels
- Relative humidity near the solar panels
- In-plane total irradiance
- Cold supply water temperature to the storage
- Flow of cold supply water
- Hot water temperature from the storage
- Electric energy delivered to the heat pump unit
- Ambient temperature near the storage

The flow of hot water was controlled by a solenoid valve mounted on the storage and controlled by the measurement computer.

Table 1: Item list

Type	Measured quantity	Description of measured qty.	Type of device	Range	Accuracy	Data logging / signal
1.Pyranometer	G	In plane irradiance	Pyranometer, Eppley	0-1200 W/m ²	3%	mV
2.Pt100	T _{amb}	Outdoor air temperature	Pt100	0-100	...	Ohm
3.Pt100	T _{in,DHW}	Water inlet temperature	Pt100	0-100		Ohm
4.Pt100	T _{out,DHW}	Water outlet temperature	Pt100	0-100		Ohm
5.Flow	Q	Volume flow of tap water	Magnetic flow meter			mV

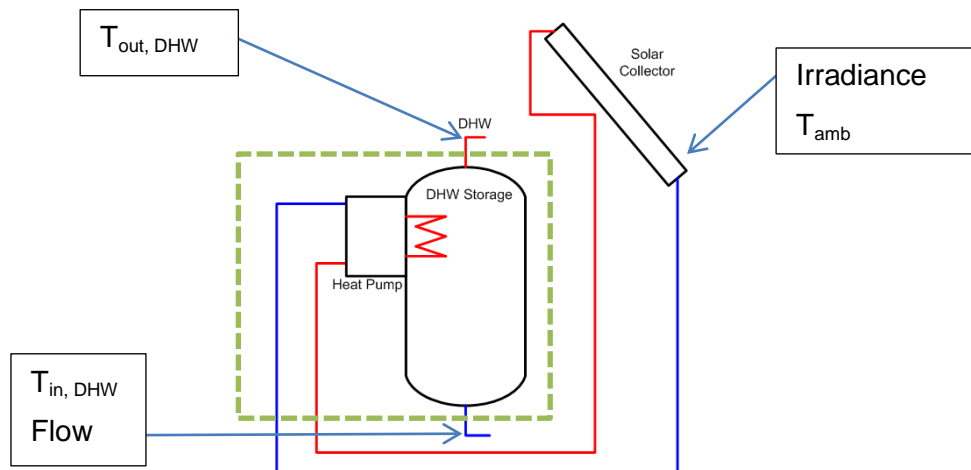


Figure 2: Hydraulic scheme of tested system with all relevant measurement devices referenced to the items of Table 1 and system boundary for performance evaluation

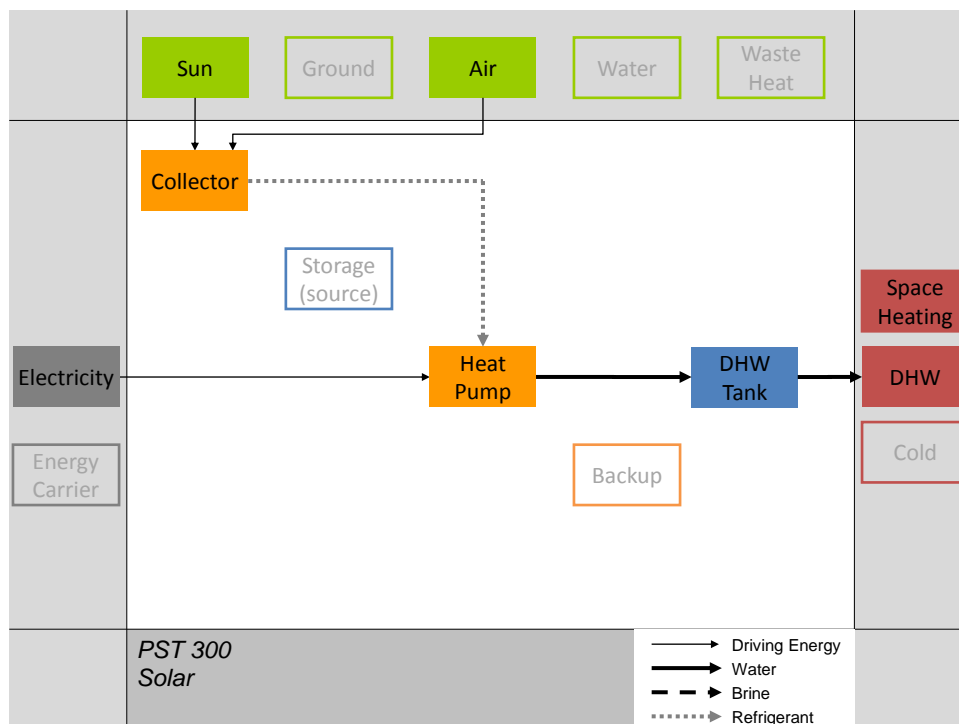


Figure 3: Square view of the system under test

Boundary Conditions used

- Load profiles / measurement points (graphically): See figure below
- Climate conditions (graphically): 15 measurement series have been recording during the period December 2008 to June 2009 in order to test the system under relevant climatic conditions.

- Supply / return / set temperatures, mass flows etc.

Data acquisition and processing

- Sampling rate
- Error estimation (give a full description of the estimated error for the results based on the method used and the devices applied)

Definition of performance figures

- Boundary 6 (COP) is used

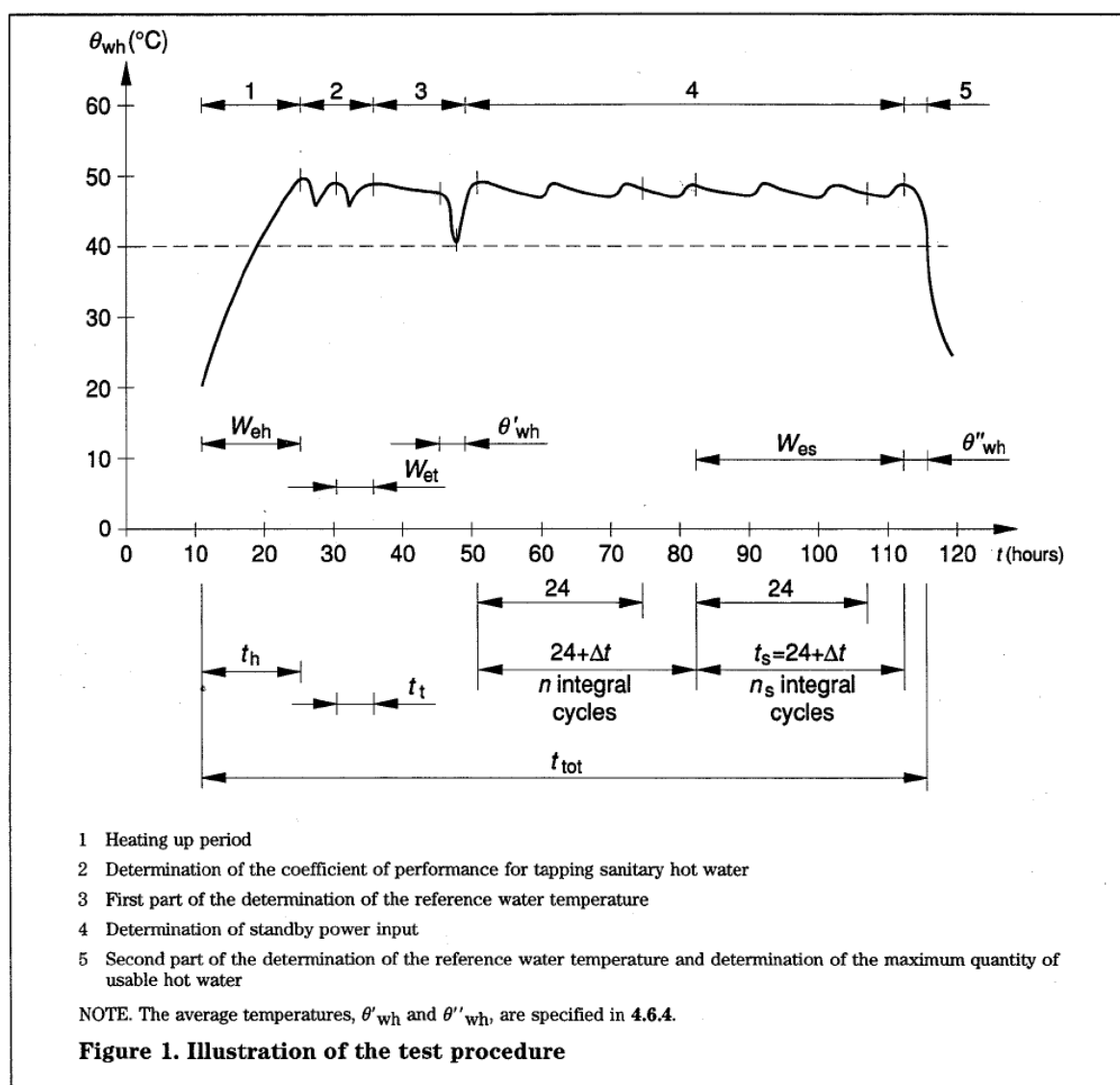


Fig. 4 Illustration of load cycles used in the test. Temperatures are indicative only

Test Results

- The measured COP under test sequence#2 varies from month to month according to the following table:

Month	December	January	June	July
COP	2.15-2.40	2.13-2.32	2.70 (only one recording)	2.4-3.36

- The efficiency of the DHW heat pump depends on several parameters, but in particular air temperature around, and solar irradiance on the solar panels. The measured COP value can be illustrated as a “bubble-diagram” where the ambient temperature is shown on the X-axis, COP on the Y-axis and the bubble size indicated the average solar irradiance in W/m^2 on the panels.

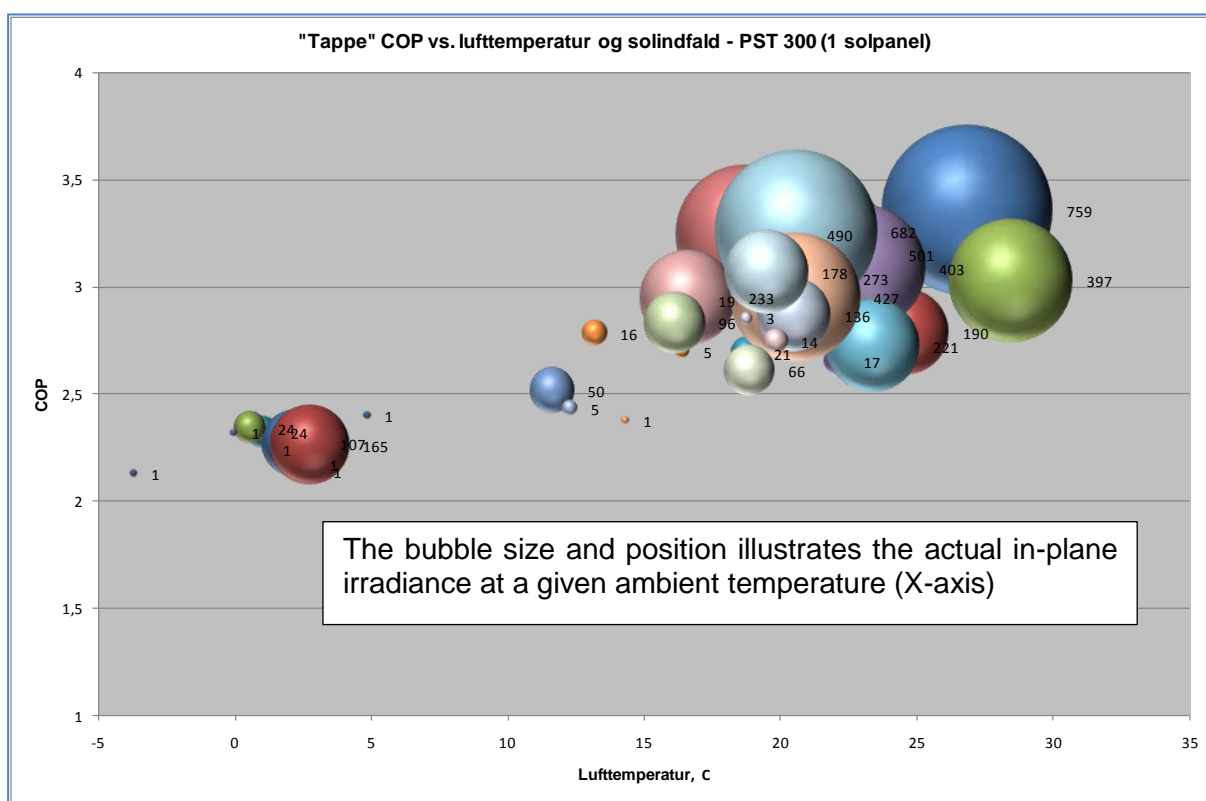


Figure 5. Bubble diagram representation of the measured COP

Summary of test experience:

- Long term test with outdoor mounting of solar absorber gave useful information on system behaviour
- The test is difficult to repeat, as it depends on weather
- Takes longer time to perform than usual heat pump testing
- In case of more complex system configurations, the instrumentation must be adjusted correspondingly

- The particular product performed better in sunshine than in dark, but the exact relation was difficult to describe

Kombinerede solvarme – varmepumpeanlæg

Beregninger med TRNSYS

Klaus Ellehauge - Ekolab

Indhold

1	Forord	2
2	Indledning	3
3	Modelopbygning	4
3.1	TRNSYS	4
3.2	Systemer	4
4	Komponenter	7
4.1	Solfanger	7
4.2	Varmepumpe	7
4.3	Jordslanger	8
4.4	Varmtvandsbeholder	9
5	Energiforbrug	10
5.1	Varmtvandsforbrug	10
5.2	Rumvarmebehov	10
6	Beregninger	12
6.1	Håndtering af solvarme	12
6.2	Valg af system	14
6.3	Luft/vand varmepumpe	14

1 Forord

Formålet med nærværende notat er ved hjælp af beregninger at undersøge forskellige systemudformninger for sammenkoblingen af solvarmeanlæg og varmepumper.

Notatet er udarbejdet som en del af den danske deltagelse i IEA SHC task 44, som er afsluttet pr. 31. december 2013.

2 Indledning

Formålet med IEA SHC task 44 har været at skaffe overblik over samt at evaluere forskellige systemer til boligopvarmning, som både indeholder solvarme og varmepumper.

I løbet af tasket har der været indsamlet informationer om en lang række systemer og en del af disse er blevet modelleret og der er blevet udført beregninger således at ydelserne har kunnet blive sammenlignet.

Der henvises til task materialerne, som findes på <http://task44.iea-shc.org>. Endvidere vil der udkomme en håndbog.

I løbet af tasket har det dels vist sig, at der ikke findes beregningsmodeller, som er nemme og bruge, og som kan regne på kombinationen af solvarme jordvarme med horisontale jordslanger, således som det er praksis i Danmark, men som det ikke er almindeligt i udlandet.

Det har også vist sig at systemmæssige sammenligninger er vanskelige at foretage ud fra konkrete anlæg, idet hver enkelte tekniske komponent samt den specifikke styringsstrategi der er valgt, som regel vil have stor indflydelse på anlæggets funktion og effektivitet.

Det har derfor været formålet med arbejdet bag nærværende notat at opstille en model, som ved indsætning af de rigtige parametre kan beregne ydelsen af anlæg på det danske marked, samt at foretage nogle sammenlignende beregninger omkring principperne for sammenkobling af solvarme og varmepumpe.

Beregningerne er foretaget ved hjælp af simuleringsprogrammet TRNSYS, som er meget alsidigt i forhold til at anvende forskellige komponenter og i forhold til at sammenkoble dem på forskellige måder.

I TRNSYS er der mulighed for at udarbejde en såkaldt TRNSED fil, som er en programfil, hvor man ikke kan udskifte komponenter, men som kan sættes op til at der kan indsættes forskellige komponentparametre. (f. eks. Solfanger- og varmepumpedata). Endvidere kan en sådan fil udleveres til andre og køres uden at man har selve TRNSYS programmet installeret.

Det var tanken, at udføre den opbyggede TRNSYS model i et mindre antal TRNSED filer for et par forskellige systemudformninger, som så kunne anvendes af andre til at dimensionere og beregne ydelse af anlæg. På grund af vanskeligheder med TRNSYS har det imidlertid ikke været muligt, at udføre dette på en tilfredsstillende måde.

3 Modelopbygning

3.1 TRNSYS

Systemerne opbygges i TRNSYS ved at der vælges en række modelkomponenter, som repræsenterer forskellige fysiske komponenter, f.eks. varmtvandsbeholder, solfanger, varmepumpe, differenstermostater m.m.

Komponenterne sammenkobles ved hjælp af forbindelser, som benyttes til at udveksle værdier (energi, flow, temperaturer m.m.) mellem komponenterne.

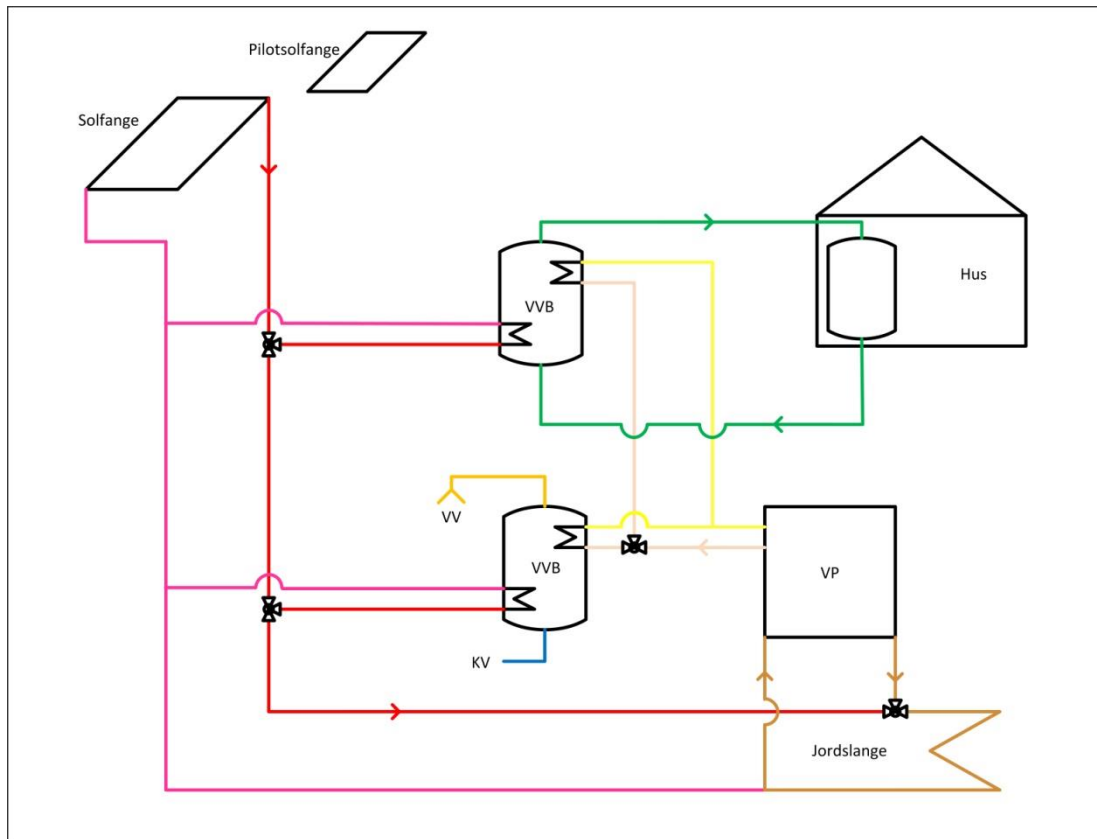
Modelopbygningen kan blive meget kompliceret og arbejdet med TRNSYS er derfor ofte meget tidskrævende.

Der er benyttet TRNSYS version 16 i modelopbygningen. TRNSYS findes også en i en nyere version 17

3.2 Systemer

Der er p.t. opbygget 3 generelle systemer. Systemerne kan styres således at de forskellige muligheder kan kobles fra og det er således muligt at simulere et vist antal forskellige markedsførte systemer.

3.2.1 System A:



Figur 1

System A er opbygget med en separat varmtvandsbeholder (VVB), som kan modtage varme fra solfanger og varmepumpe (VP) samt en beholder/veksler, som kan modtage varme fra solfanger og VP.

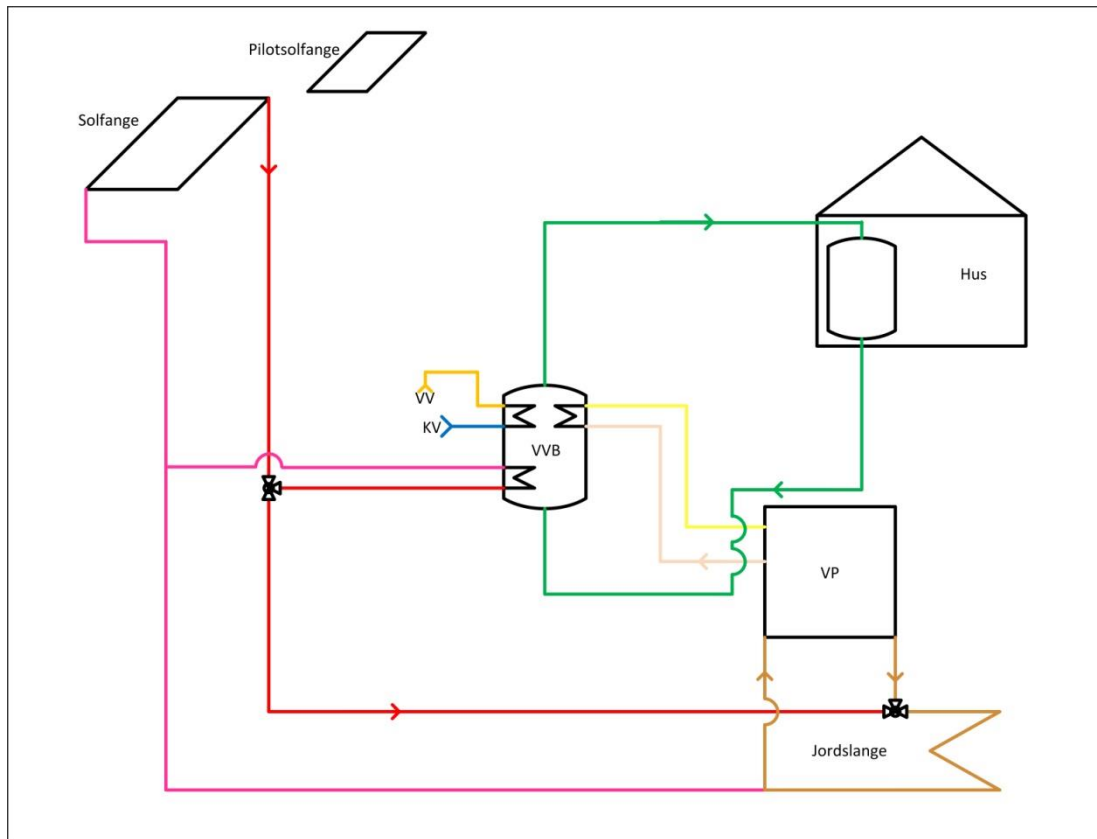
Endvidere kan solfangeren levere varme ned i jorden.

Systemet styres f.eks. således, at solvarme til VVB har første prioritet, dernæst kommer rumvarme og til sidst lagring af solvarme i jorden.

Varmepumpen supplerer i det omfang der ikke er solvarme til rådighed, og endelig er der mulighed for at indkoble elvarme til beholderne.

Solfangerstyringen kan ske ved differenstermostater og temperaturføler placeret enten i solfangeren eller i en pilotsolfanger, som ikke er koblet på systemet og derfor registrerer hvilken temperatur, det er muligt at nå i solfangeren.

3.2.2 System B:



Figur 2

System B er opbygget med ét fælles lager, hvorfra der leveres varme til både VV og rumvarme.

Lageret kan opvarmes med varme fra solfangere og fra varmepumpen. Endvidere kan solfangeren levere varme ned i jorden.

Som system A kan systemet styres ved hjælp af en pilotsolfanger, og der styres således at beholderen har første prioritet i forhold til jorden.

3.2.3 System C

System C er opbygget som system B, men varmtvandsproduktionen sker i en udvendig veksler (figur mangler)

4 Komponenter

4.1 Solfanger

Solfangeren er modelleret med TRNSYS type 1b hvor solfangernes effektivitet angives ved en 2. ordens effektivitetskurve og hvor der foretages korrektion i forhold til indfaldsvinkel

I de efterfølgende beregninger er benyttet nedenstående data for solfangeren:

BA30

areal	m ²	8
Solfangereffektivitet		
starteffektivitet	-	0,8
1. ordens varmetabskoefficient	kJ/hr/(m ² K)	12,6 (3,5 W/(m ² K))
2. ordens varmetabskoefficient	kJ/hr/(m ² K ²)	0 (0,0 W/(m ² K ²))
Vinkelkorrektion		udregnes

Tabel 1

4.2 Varmepumpe

Til simulering af varmepumpen er benyttet komponenten Conditioning Equipment type 42 som blot er en matematisk komponent, som kan interpolere 3 afhængige variable ud fra 2 uafhængige variable.

Komponenten benyttes således, at varmepumpens ydelse bestemmes ud fra temperaturen på henholdsvis fordamper og kondensator siden.

Ydelsen benyttes dernæst til at udregne temperaturforskellen der forårsages af varmepumpen i henholdsvis fordamper- og kondensatorkredsen i forhold til de givne flow.

Komponenten udregner endvidere den tilførte effekt til varmepumpen samt effektfaktoren (som dog ikke benyttes).

Komponenten benytter en inddatafil som skal genereres ud fra varmepumpens opgivne testdata.

Der er udarbejdet en excel fil som kan foretage denne generering. I komponenten skal der angives en sti til filen med inddata.

I beregningerne med jordslanger er indlagt data fra DVI Queen VV7DC jf. nedenstående tabel.

DVI Queen VV7DC

Kold side		Varm side		afgivet effekt kW	tilført effekt kW	Effekt- faktor COP
indg. C°	udg C°	fremløb C°	retur C°			
0	-3	35	30	7,4	1,9	4
		45	40	7,3	2,2	3,3
		55	50	7,2	2,6	2,7
5	2	35	30	8,8	1,9	4,5
		45	40	8,6	2,3	3,8
		55	50	8,1	2,7	3
10	7	35	30	10,4	2,1	5,1
		45	40	9,7	2,4	4,1
		55	50	9,4	2,8	3,4

Tabel 2

4.3 Jordslanger

Jordslangerne modelleres med type 556. Modellen regner på jordslanger lagt i et opfyldningsmateriale samt i den omliggende jord. Der regnes også på opmagasinerings af varme i jorden.

Modellen kan ikke medtage påvirkningen fra parallelt beliggende jordslanger, så det er en forudsætning at jordslangerne lægges med tilstrækkelig afstand.

Modellen er sat op, så der kun regnes på en lang jordslange, men modellen kan også sættes op med flere parallelle slanger.

I de første beregninger er benyttet værdierne i nedenstående tabel:

Længde	m	200
Dybde	m	1,0
Ydre og indre rørradius	m	0,04 / 0,03
Radius af fyldmateriale om rør	m	0,3
Massefylde af jordslange	kg/m ³	1200
Massefylde fyldmateriale	kg/m ³	2000
Massefylde jord	kg/m ³	1900
Varmekapacitet jordslange	kJ/kg K	0,64
Varmekapacitet fyldmateriale	kJ/kg K	0,8
Varmekapacitet jord	kJ/kg K	0,8

Tabel 3

4.4 Varmtvandsbeholder

Der er benyttet type 340 som er en beholdertype der kan regne på lagdeling, og hvor der kan indsættes 4 varmevekslere i forskellig højde.

I første opsætning af modellen er der specificeret, at det kolde vand tilføres i bunden af beholderen og tappes i toppen.

Endvidere er det specificeret at eftervarmning af det varme brugsvand sker via en varmeveksler i toppen af beholderen hvortil der tilføres varme fra varmepumpen. Og endelig kan der ske eftervarmning af en el-patron såfremt den nødvendige ydelse ikke kan leveres af solvarme og varmepumpe.

Data for beholderen i første opsætning af modellen fremgår af tabellen nedenfor:

Volumen	m ³	0,3
Højde	m	1,75
Diameter	m	0,47
Varmetabskoefficient	kJ/hr K	5,4 (1,5 W/K)
Omgivelsestemperatur	C°	20
Relativ placering indløb KV	-	0,05
Relativ placering udløb VV	-	0,99
Relativ placering sol-veksler ind	-	0,1
Relativ placering sol-veksler ud	-	0,5
Varmeoverføringskapacitet sol-veksler	kJ/hr K	2880 (800 W/K)
Relativ placering VP-veksler ind	-	0,6
Relativ placering VP-veksler ud	-	0,9
Varmeoverføringskapacitet VP-veksler	kJ/hr K	5400 (1500 W/K)

Tabel 4

Fælles beholder

	Relativ Højde ind	Relativ Højde ud	
Solvarmeveksler	0,4	0,1	
Varmepumpeveksler	0,6	0,8	
BV direkte	0,05	0,99	
RV direkte	0,45	0,8	
El-patron	0,9	0,9	Tset = 55

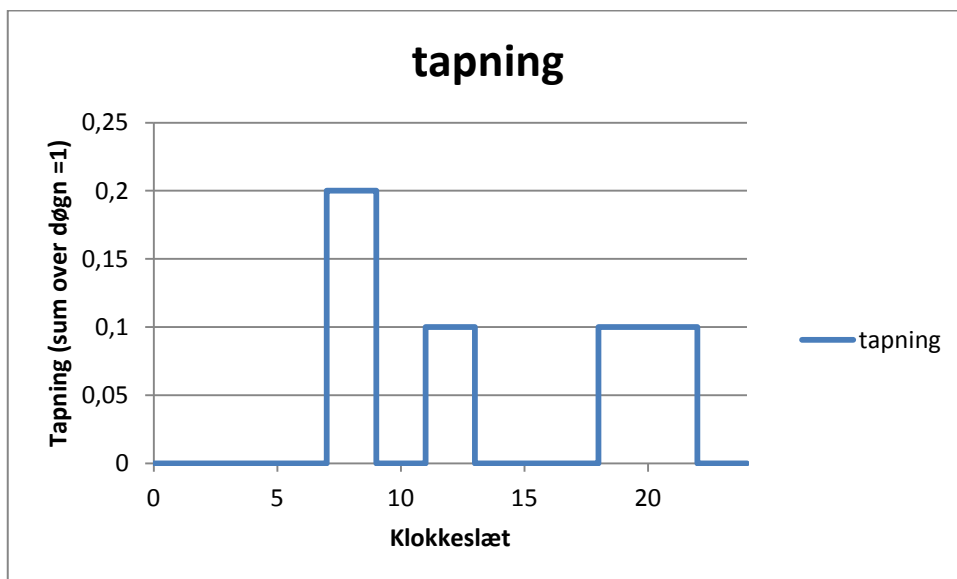
Tabel 5

5 Energiforbrug

5.1 Varmtvandsforbrug

Varmtvandsforbrugets fordeling over døgnet angives ved en type 14 komponent, som er en "Time Dependent Forcing Function: Water Draw". Funktionen giver tappeflowets delvise fordeling i tidsintervaller i løbet af døgnet. Fordelingsfunktionen multipliceres med det daglige forbrug i liter i en "Equation" komponent, hvor endvidere angives koldtvandstemperaturen samt den ønskede varmtvandstemperatur. Komponenten udregner endvidere en nedsat flowmængde såfremt temperaturen i varmtvandsbeholderen er varmere end den ønskede tappetemperatur.

I den første opsætning er benyttet et tappeprofil som vist:



Figur 3

5.2 Rumvarmebehov

Der er benyttet type 56 til beregning af husets rumvarmebehov.

Type 56 er en detaljeret husmodel på niveau med Bsim. Huset kan specificeres i programmet TRNbuild, som genererer en datafil som benyttes af TRNSYS.

TRNSYS har andre simplificerede hustyper, men det er valgt at opbygge første del af modellen med en realistisk husmodel.

Der er opbygget tre husmodeller med rumvarmeforbrug på henholdsvis 2.970, 5.280 og 14.830 kWh/år.

Husmodellen udregner et effektbehov, som det af hensyn til modelopbygningen er valgt at trække fra en akkumuleringsbeholder, hvortil der kan leveres varme fra solfanger og

varmepumpe. Denne beholder kan simulere en beholder der indgår i systemet eller hvis varmekapaciteten gøres lille en varmeveksler der veksler fra solfanger og varmepumpesystem til radiatorer/gulvvarme.

Ved første opbygning af systemet er beholderne modleret som følger

Rumvarmebeholder/veksler

Volumen	m ³	0,3
Højde	m	1,75
Diameter	m	0,38
Varmetabskoefficient	kJ/hr K	5,4 (1,5 W/K)
Omgivelsestemperatur	C°	20
Relativ placering indløb KV	-	0,05
Relativ placering udløb VV	-	0,99
Relativ placering sol-veksler ind	-	0,1
Relativ placering sol-veksler ud	-	0,5
Varmeoverføringskapacitet sol-veksler	kJ/hr K	2880 (800 W/K)
Relativ placering VP-veksler ind	-	0,6
Relativ placering VP-veksler ud	-	0,9
Varmeoverføringskapacitet VP-veksler	kJ/hr K	2880 (800 W/K)

Tabel 6

6 Beregninger

I dette kapitel gennemgås forskellige beregninger, som sammenlignes.

Det skal understreges, at ved beregningerne er der truffet specifikke valg vedrørende komponentparametre, styring og sammenkobling m.m. Valgene er truffet ud fra ønsket om at kunne uddrage generelle konklusioner ved sammenligningerne, men det har ikke været muligt at udføre så omfattende beregninger, at det kan udelukkes at andre konklusioner vil være mulige ved andre valg af beregningsomstændigheder. Notatet postulerer således ikke at være udtømmende på området, men skal snarere ses som et første fingerpeg på nogle sammenhænge.

I nedenstående tabeller er vist beregningsresultater for de forskellige beregninger.

SPF faktoren (seasonal performance factor) er defineret i task IEA SHC 44 i en række forskellige udformninger afhængigt af hvilke energiforbrug der inkluderes. I dette notat angiver SPF faktoren forholdet mellem husets energibehov til varmt vand og rumvarme – og elbehovet til drift af varmepumpe, og supplerende el i det omfang behovet ikke dækkes af varmepumpe og solfanger. El til cirkulationspumper er kun medregnet i det omfang de indgår i varmepumpens testdata. Jo større SPF faktor desto mindre elektricitet bruges der i systemet.

COP faktoren angiver varmepumpens effektivitet, dvs. forholdet mellem ydelsen af varmepumpen og varmepumpens el-forbrug således som dette udregnes ud fra varmepumpens testdata.

Solfangerydelsen er den nyttiggjorte solfangerydelse pr. m² solfanger. Dvs. solvarmen leveret til varmt vand og til rumvarmen, men ikke solvarme leveret til jorden.

6.1 Håndtering af solvarme

System A, B og C er udformet således at der kan foretages beregninger, hvor der kun leveres solvarme til varmt vand, hvor der både leveres solvarme til varmt vand og rumvarme og endelig hvor der leveres solvarme til både varmt vand, rumvarme og til jorden.

System A er bedst egnet til at vise betydningen af, hvordan solvarmen håndteres, idet solvarme til brugsvand og solvarme til rumvarme kan holdes adskilt

I nedenstående tabel er vist ydelserne uden solvarme, og hvis solvarmen kan leveres henholdsvis til VV, til rumvarme og til lagring i jorden. I alle tilfældene er systemet styret således, at pilotsolfangeren undersøger, hvor det er muligt at levere varme til. Varmt vand har første prioritet, rumvarme har 2. prioritet og jorden har tredje prioritet.

Da konklusionerne kan være forskellige afhængigt af hvor stort solvarmeanlægget er i forhold til forbruget, er beregningerne udført med 3 forskellige rumvarmebehov.

System	Varmebehov	Sol til	SPF	COP	Solfanger	Solfanger
--------	------------	---------	-----	-----	-----------	-----------

	(VV og RV) kWh/år	VV kWh/år	RV kWh/år	Jord kWh/år			areal m ²	ydelse kWh/m ² .år
A	6.420				2,91	2,99	8,0	0
A	6.433	2.529			4,44	2,91	8,0	316
A	6.433	2.533	96		4,54	2,90	8,0	329
A	6.434	2.530		1.117	4,44	2,90	8,0	316
A	6.435	2.534	93	929	4,54	2,90	8,0	328
A	8.743				2,92	3,02	8,0	0
A	8.758	2.537			3,95	2,99	8,0	317
A	8.758	2.531	147		4,02	2,99	8,0	335
A	8.762	2.534		1.128	3,94	2,99	8,0	317
A	8.762	2.532	139	899	4,02	2,98	8,0	334
A	18.270				2,97	3,26	8,0	0
A	18.297	2.589			3,54	3,31	8,0	324
A	18.297	2.589	293		3,60	3,30	8,0	360
A	18.303	2.588	282	1.337	3,60	3,29	8,0	359

Tabel 7

Det ses, at for alle 3 forbrug opnås den samme SPF faktor for tilfældene, hvor der både kan leveres solvarme til det varme vand og til rumvarmen, og for tilfældene hvor der kan leveres solvarme både til det varme vand, rumvarmen og til jorden.

Muligheden for at kunne levere solvarme til jorden har således i beregningerne ikke ført til større besparelser.

For nærmere at undersøge problematikken omkring lagring i jorden er der foretaget beregninger for huset med det store rumvarmeforbrug, idet en del af rumvarmeforbruget så også ligger om sommeren. Solfangerarealet sættes til 12 m²

I nedenstående 3 beregninger er varmeledningsevnen for jorden varieret fra 4 til 15 kJ/hr.m.K, men det har stort set ingen indflydelse på det endelige energiforbrug udtrykt ved SPF faktoren.

Varme- ledning i jord	System	Varmebehov (VV og RV) kWh/år	Sol til			SPF	COP	Solfanger areal m ²	Solfanger ydelse kWh/m ² .år
			VV kWh/år	RV kWh/år	Jord kWh/år				
lav	A	18.330	2.848	546	3.784	3,66	3,21	12,0	283
middel	A	18.331	2.848	545	2.389	3,67	3,22	12,0	283
høj	A	18.331	2.849	544	1.580	3,72	3,26	12,0	283

Tabel 8

Der er dog en overraskende tendens til at el-forbruget er lavest ved den store varmeledningsevne, selvom det er her der tilføres mindst solvarme til jorden.

Beregningerne viser at temperaturen i jorden er højere ved den højere varmeledningsevne, hvilket antages at skyldes at ved den store varmeledningsevne tilføres der mere varme fra den omkringliggende jord end der tilføres med solvarmen, og dette er også grunden til at varmepumpen kører bedre.

6.2 Valg af system

I tabellen er vist resultatet af beregninger udført for de 3 forskellige systemudformninger beskrevet i kapitel 3.

System	Varmebehov (VV og RV) kWh/år	Sol til			SPF	COP	Solfanger areal m ²	Solfanger ydelse kWh/m ² .år
		VV kWh/år	RV kWh/år	Jord kWh/år				
A	8.762	2.532	139	899	4,02	2,98	8,0	334
B	8.784		3.007	1.450	3,59	3,10	8,0	376
C	8.797	1.540	825	1.213	4,96	3,76	8,0	296

Tabel 9

Resultaterne vil naturligvis afhænge af den helt konkrete udformning med hensyn til varmetab fra beholdere, temperaturstratificering m.m. Når disse holdes så ens som muligt i forhold til de forskellige systemudformninger giver de aktuelle valg for modellen at system C har den bedste ydelse.

6.3 Luft/vand varmepumpe

Systemmodellerne kan modereres således at de henter varme fra udeluften via en luft-væske varmeveksler i stedet for jordslangerne.

I nedenstående beregninger er for varmepumpen benyttet testdata fra en DVI Queen LV9DC luft/vand varmepumpe.

Til sammenligning med systemerne angivet ovenfor er angivet ydelsen med 8 m² solfanger.

Endvidere er udført beregninger med 12 m² solfanger for bedre at illustrere effekten af, at der kan tilføres solvarme til at højne temperaturen i fordamperkredsen.

System	Varmebehov (VV og RV) kWh/år	Sol til			SPF	COP	Solfanger areal m ²	Solfanger ydelse kWh/m ² .år
		VV kWh/år	RV kWh/år	Jord kWh/år				
D	8.755	2.529	141	352	3,58	2,69	8,0	334
D	8.758	2.805			3,66	2,70	12,0	234
D	8.759	2.802	280		3,82	2,70	12,0	257
D	8.758	2.809		1.423	3,62	2,67	12,0	234
D	8.759	2.800	276	991	3,78	2,67	12,0	256

Tabel 10

Som det ses i tabellen er det med de valgte parametre vigtigt at tilføre solvarmen direkte til det varme vand og rumvarmen frem for til fordamperkredsen.

6.4 Energitag

Modellen kan sættes op til at modellere et energitag. Model A styres således at solfangeren kun levere solvarme til fordamperkredsen og der lukkes for jordslangerne.

For solfangeren er der i de udførte kørsler benyttet solfangerligningen for en uafdækket solfanger. Denne ligning er naturligvis ikke beregnet til at angive effektiviteten ved negative temperaturforskelle mellem absorber og udelufttemperatur. Der er derfor udviklet en solfangermodel, der mere præcist kan regne på energitage, der både absorberer solvarme og varme fra udeluften. For nærværende notat har det imidlertid ikke været muligt at benytte den udviklede solfangermodel.

I nedenstående tabel er vist de indledende beregninger.

System	Varmebehov (VV og RV) kWh/år	SPF	COP	Energi- tag m ²	Solfanger ydelse kWh/m ² .år
A	8.769	1,19	1,22	8,0	190
A	8.772	1,84	1,90	20,0	209
A	8.775	2,10	2,18	40,0	122
A	8.776	2,16	2,25	80,0	63

Tabel 11

Det skal bemærkes at i ovenstående tabel er der i COP faktoren indregnet direkte el som regnes suppleret til varmepumpen idet omfang fordamperkredsens temperatur er under mindste afprøvningstemperatur på -7 °C.

I modellen er regnet med at varmepumpen kører efter behovet til varmt vand og rumvarme. Det forventes, at en styringsstrategi hvor der til en vis grad styres efter, at varmepumpen kun kører, når der er en vis temperatur eller overtemperatur på energitaget, og hvor der så lagres varme, vil kunne forbedre systemets ydelse, men der er ikke set nærmere på det.

7 Konklusion

Der er opbygget en TRNSYS model, som kan beregne forskellige systemudformninger for solvarme- varmepumpeanlæg til bygningsopvarmning.

Modellen er opbygget, så den forholdsvis enkelt kan ændres til at modellere forskellige systemer, f.eks. med 1 eller 2 beholdere og forskellige styringer.

Det har vist sig, at det ikke var muligt at levere såkaldte TRNSED filer, som kan benyttes af andre, således som det var intentionen.

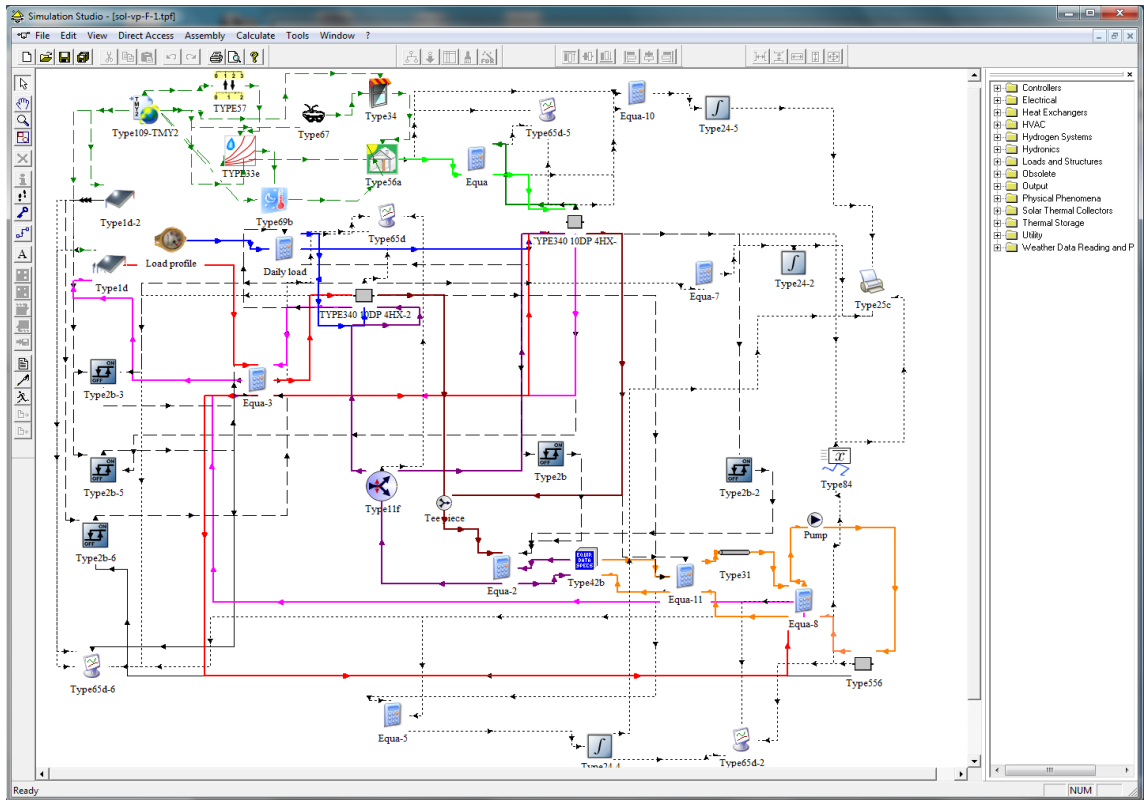
Der er udført beregninger af forskellige systemudformninger. Det har bl.a. været interessant at undersøge, hvorvidt der er fordele ved forskellige systemer, som kan levere solvarme til lagring i jorden, eller systemer der kan levere solvarme til supplerende opvarmning af fordamperkredsen, f.eks. ved et system der tager varme fra udeluften.

I begge tilfælde har det ikke været muligt, at påvise ydelsesmæssige fordele ved systemerne, idet systemer der blot leverer solvarme direkte til det varme brugsvand og til rumopvarmningen, har lige så høj ydelse. Det skal dog ikke udelukkes at systemerne kan have ydelsesmæssige fordele ved andre parametervalg, end der er gjort her. Derimod kan systemerne have driftsmæssige fordele i form af at kunne komme af med overkudsvarme.

Endelig er der udført beregninger for anlæg med energitag, dvs. et tag der både fungerer som solfanger og som varmeabsorber fra udeluften samt som varmepumpens fordamperkreds. I de udførte beregninger er der ikke så høj solvarmeudnyttelse, hvilket bl.a. formentligt skyldes at systemet ikke er opbygget således at der lagres solvarme.

8 BILAG

PRESIM billede af model



Figur 4

Artikel til HVAC bladet.
Deadline: 16. maj, 2013

Energirenovering af enfamiliehus ramte plet!

Energirenovering af enfamiliehus i Ballerup har resulteret i en energibesparelse af præcis samme størrelse som beregnet.

Forfattere:

Ove Mørck & Ole Balslev Olesen, Cenergia Energy Consultants

Kirsten Engelund Thomsen, Statens Byggeforskningsinstitut, SBI, Aalborg Universitet

Introduktion

To enfamiliehuse fra begyndelsen af 70-erne er blevet energirenoveret som led i et EUDP-projekt med formål at fremme energirenovering af boliger i Danmark. I det ene hus er energiforbruget efter renoveringen kommet ned på præcis det beregnede niveau, mens det andet hus er et eksempel på hvordan ændrede brugsvaner resulterer i langt bedre komfort, men kun en begrænset energibesparelse på ca. 10%.

Det ene hus på Udbakken i Ballerup er et fritliggende parcelhus på 142 m² - opført i 1972 i gule sten uden kælder. Der var ikke tidligere foretaget nogen energimæssige forbedringer af huset, der var opvarmet med oliefyr. Olie tanken stod til at skulle skrottes, hvilket samtidigt med de stigende energipriser sætte gang i tankerne om en energirenovering hos ejerne.



Huset på Udbakken før energirenoveringen

Det andet er et fritliggende parcelhus på 136 etagemeter med 88 m² kælder, samt høj krybekælder. Huset er opført i 1972 og beliggende på Sommerbuen i Ballerup. Der er ikke tidligere foretaget nogen energimæssige forbedringer af huset, dog er hoveddør og kælder dør skiftet vinter 2008/09. Vinduerne er de oprindelige termoruder. Der er centralvarme fra eget anlæg med nyere kondenserende gaskedel (år 2004). Det er en integreret unit med 100 l beholder. Der er styring med udeføler og termostater på radiatorer. Uisolerede rør i kælder samt gulvvarme i kælder med opvarmning både sommer og vinter pga. fugtproblemer.



Huset på Sommerbuen før energirenoeringen

Energibesparestiltagene.

Projektet tog udgangspunkt i 4 nøgle-lavenergiteknologier: Ydervægsisolering, lavenergivinduer, ventilation med varmegenvinding og solvarme. Desuden kunne der suppleres med solceller.

Familien på Udbakken valgte at anvende alle 4 teknologier inklusive udskiftning af oliefyret med en varmepumpeløsning. Desuden øgedes isoleringstykkelsen på loftet med 200 mm i forbindelse med en tagudskiftning, som skulle foretages alligevel. Varmepumpeløsningen består af to varmepumper, en jordvarmepumpe til rumvarme og en luft-til-vand varmepumpe til opvarmning af varmt vand. Parcelhuset på Udbakken renoveredes således med følgende tiltag:

- 1) Vinduer og dørudskiftning
- 2) Facade- og fundaments isolering
- 3) Solvarmeanlæg
- 4) Loftisolering, ovenlys nyt tag med ovenlys
- 5) Varmepumpe–jordvarme samt en luft-til-vand varmepumpe til opvarmning af varmt vand
- 6) Mekanisk ventilation med varmegenvinding.



Huset på Udbakken efter energirenoeringen

I huset på Sommerbuen valgte man at beholde gasfyret, der ikke havde voldt problemer, og da ekstraomkostningerne ved nye velisolerende facader ikke var helt ligetil pga. kælder- og lysskakte samt en forholdsvis smal indkørsel – og deraf ekstra dyr – blev ydervægsisoleringen

valgt fra. Forbruget af varmt vand var også begrænset, da der kun er to voksne beboere i boligen, så solvarmen valgtes også fra. Der blev valgt ventilation med varmegenvinding og nye lavenergivinduer. Desuden var der behov for en tagrenovering og i forbindelse med den isoleredes loftet med ekstra 200 mm, og der blev installeret et solcelleanlæg på taget.

Parcelhuset på Sommerbuen renoveredes således med følgende tiltag:

- 1) Vinduer og terrassedørs udskiftning
- 2) Solcelleanlæg
- 3) Loftisolering, ny tagbeklædning, udhæng, render og nedløb.
- 4) Mekanisk ventilation med varmegenvinding. Anlægget omfatter også kælderen for at opnå en effektiv udluftning af denne.



Huset på Sommerbuen efter energirenoveringen

Energiforbrug og energimærker før og efter.

Udbakken:

Det årlige energiforbrug til rumopvarmning og varmt vand var før renoveringen ca. 190 kWh/m².

Efter renoveringen er forbruget 15 kWh/m² el til varmepumpen.

Resultatet er at husets energimærke er forbedret fra F til B.

Sommerbuen:

Det årlige energiforbrug til rumopvarmning og varmt vand var før renoveringen ca. 180 kWh/m².

Med et anslået elforbrug til bygningsdriften på 5,5 kWh/m² og 2,7 kWh/m² som straf for

overtemperatur er energiforbruget 192 kWh/m²/år – altså lige over et E på

energimærkeskalaen.

Efter renoveringen er varmebehovet beregnet til 107,1 kWh/m², men el-produktionen fra solcellerne reducer energirammen mærkbart, idet den ender på ca. 70 kWh/m², svarende til energimærke B. Som nævnt i indledningen viser registreringen af den aktuelle en besparelse på 10%.

Solvarme-varmepumpe-samspelet i huset på Udbakken

Som led i den nyudvikling, der var en del af EUDP-projektet, "samarbejder" solvarmeanlægget med begge varmepumper, således at når solvarmeanlægget kan levere varme af tilstrækkelig høj temperatur afleveres den i brugsvandstanken, og når dette ikke er tilfældet overføres den til jorden vha. jordvarmepumpens jordslanger. Derved får jordvarmepumpen en bedre årlig effekt. Solvarmefabrikanten – Batec – anvender nu denne løsning i almindelig praksis og refererer til den som Udbakke-løsningen!

Målinger på Udbakken og regressionsanalyser på disse

De detaljerede målinger på Udbakken er påbegyndt 5. marts 2013, så resultaterne her er baseret på to måneder - marts og april. Disse måneder har været kolde og solrige og repræsenterer typiske driftstilstande for anlægget som beskrevet ovenfor. Ud fra dagsværdier er sammenhængen mellem anlæggets ydelse og udetemperaturen og solindfaldet fundet ved regression. Der er fundet følgende sammenhæng mellem rumopvarmning, udetemperatur og solindfald:

$$RV = 40,9 - 2,45 \times T - 0,71 \times I, \text{ [kWh/dag]},$$

Hvor

$$T = \text{daglige gennemsnitlige udetemperatur, [}^\circ\text{C]}$$

$$I = \text{solindfald pr. dag, [kWh/dag]}$$

Korrelationen mellem målte og beregnede størrelse af rumvarmebehovet er vist i fig. 1. Den ved regression fundne koefficient 2,45 kWh/dag°C, eller omregnet til 102 W/°C, svarer til husets specifikke varmetab til omgivelserne. I BYG-SOL [1] beregningerne er den tilsvarende værdi 106 W/°C, dvs. en ganske god overensstemmelse mellem beregninger og målinger.

Benyttes referenceårets vejrdata i ovenstående sammenhæng med de målte data fra 2 måneder, kan det årlige energibehov til rumopvarmning beregnes til 7265 kWh svarende til 51,2 kWh/m². Husets infiltration er målt ved trykprøvning, og det har vist, at huset er noget mere utæt end antaget, hvilket forklarer et lidt større rumvarmebehov i forhold til en beregnet værdi på 41,7 kWh/m². Olieforbruget før reoveringen svarede til 193,4 kWh/m² hvoraf 159 kWh/m² gik til rumopvarmning. Energiforbruget til rumopvarmning er således faldet fra 159 kWh/m² til 51,2 kWh/m², som er en besparelse på 68%.

Det gennemsnitlige målte varmtvandsforbrug svarer til et netto energibehov til det varme brugsvand på 7,4 kWh/m² pr. år. Det faktiske netto varmebehov til det varme brugsvand er ca. 3 kWh pr. dag. Som det er vist i Fig. 2, er der registreret ydelser på op til 10 kWh pr. dag, hvilket kan tolkes, som solfangeren opvarmer det varme brugsvand og dernæst sender overskydende varme i jorden. Solfangerens ydelser er således større end beregnet på trods af et mindre varmtvandsforbrug.

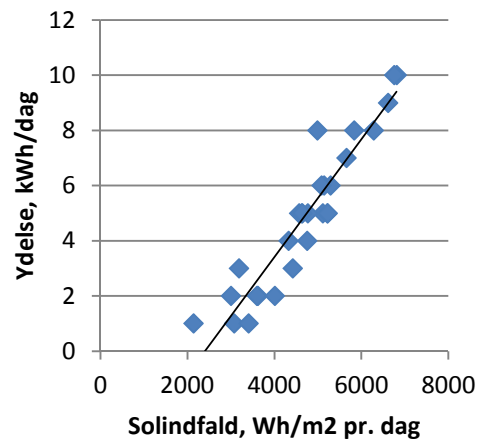
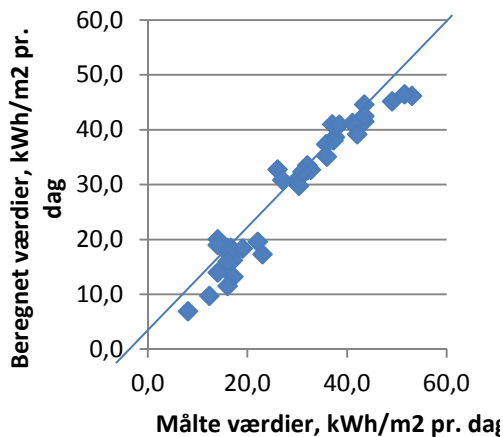


Fig. 1.: Korrelation mellem målt og beregnet rumvarmebehov RV.

Fig. 2.: Solfangerens ydelse som funktion af solindfaldet.

Det samlede elforbrug er målt, og ved hjælp af regression er det årlige forbrug beregnet til 2998 kWh svarende til 21,1 kWh/ m². Det beregnede el-behov var beregnet med BYG-SOL [1] til 20,7 kWh/m² (se figur 3) og der er således en ganske god overensstemmelse mellem de beregnede værdier fra BYG-SOL og de målte værdier. Anlæggets ”målte” virkningsgrad kan nu beregnes til: $SPF_{m\ddot{a}lt} = (51,2 + 7,4) / 21,1 = 2,78$ [2].

BYG-SOL

Her aflæses resultatet på det beregnede energi behov for referencebygningen.

		REFERENCEBYGNING		ENERGIOPTIMERET	
Rumvarme netto		159,0		41,7	
Brugsvand netto		16,2		17,3	
Solvarme		0,0		8,8	
Varmebehov netto		175,2		50,3	
Tab fra installationer		0,8		0,0	
Varmebehov (FjV, gas, olie)	kWh/m ² år		193,4		0,0
El til varmepumper/Elvarme		0,00		18,57	
Cirk. pumper		5,59		2,14	
Ventilatorer		0,00		2,66	
Elproduktion solceller		0,00		0,00	
Netto behov		5,59		23,38	
El-behov netto x 2,5	kWh/m ² år		14,0		58,4
Overtemperatur	kWh/m ² år	3,5	3,5	1,5	1,5
ENERGIBEHOV I ALT	kWh/m² år		210,9		60,0
BR08	kWh/m ² år		85,5		85,5
BR10	kWh/m ² år		64,1		64,1
Lavenergi 2015	kWh/m ² år		37,0		37,0
DRIFTSUDGIFTER pr. boligenhed					
Varme	kr. /år		27466		5077
Pumper+ventilatorer	kr. /år		1527		1313
Solcelleproduktion	kr. /år		0,0		0
SAMLEDE DRIFTSUDGIFTER	kr. /år		28.993		6.390

Fig. 3.: Den oprindelige BYG-SOL beregning.

Non-Energy Benefits ved energirenovering

Ved korrekt udført energirenovering vil der være gode muligheder for at opnå en række ikke-energirelaterede fordele, de såkaldte Non-Energy Benefits (NEB). Der kan foruden lavere energiforbrug nævnes en lang række fordele såsom bedre økonomi, bedre indeklima og øget komfort, øget arbejdsproduktivitet, mere æstetisk bygning, støjrreduktion, miljøforbedringer samt forebyggelse af byggeskader. Desuden kan der vælges materialer, som giver en lettere vedligeholdelse af bygningen. Medtagelse af NEB vil give bygningsejeren en større forståelse for vægtningen af fordele og negative sider af en energirenovering. Indregning af netto NEB i en kalkulation af investeringer i energirenoveringer – og besparelser vil typisk fordoble de privatøkonomiske fordele og halvere tilbagebetalingstiden.

I de aktuelle byggerier kan nævnes, at Realkredit Danmark vurderer, at halvdelen af investeringen vil komme igen som en værdistigning af boligen. Boligerne er blevet moderne

boliger og har fået et bedre indeklima, både fordi der bliver et mere kontrolleret luftskifte end tidligere, men også fordi der ikke længere er fodkoldt. Desuden har boligejerne fået deres ønsker til ændringer gennemført såsom ny hovedør i stuen, lysskakter i fordelingsgangen, mere sammenhængende vinduer i køkken og bryggers samt en bedre lysfordeling bl.a. grundet nye dybe lysninger.

Så der er et behov for at lægge større vægt på NEB i kommende kampagner for energirenovering af boliger.

Beboernes erfaringer med renoveringen

Der er gennemført interviews med begge husstande for at kortlægge ejernes erfaringer med renoveringerne. En grund til at gennemføre større renoveringer af deres boliger var dels en deltagelse i projektet "Udvikling af nøgleteknologier" og på denne måde få en gratis rådgivning og dels en generel interesse i miljøspørgsmål. Begge par gav udtryk for, at renoveringen har resulteret i bedre indendørs komfort. Parret fra Sommerbuen fortæller, at de har fået en højere indendørstemperatur og en mere jævn temperaturfordeling. Samtidig er luftkvaliteten også blevet bedre bl.a. på grund af et filter på Genvex anlægget. Der er blevet mindre støv i huset. På Udbakken fremhæves specielt en meget jævnere temperaturfordeling i hele huset. Før renoveringen kunne der være iskold i den ene ende af huset, samtidig med at der var 25 °C inde ved pejsen i stuen.

Begge par er overordnet glade for mekanisk ventilation, men samtidig peges der også på forskellige udfordringer og problemer især i forhold til styringen. Derudover oplevede man på Sommerbuen noget støj fra ventilationsrørene, som er ført fra kælderen og op til loftet gennem soveværelset. Desuden er der enkelte gange kommet røg fra naboens brændeovn ind i huset via ventilationssystemet.

Totaløkonomi og energirenovering

En af de konklusioner, der trådte klarest frem ved gennemførelsen af de to projekter var, at energiforbedringer betaler sig bedst, når de indgår som en del af øvrige vedligeholdelses- og renoveringsprojekter. Dette gælder både for udskiftning af bygningsdele, teknik, eller ved udvidelse og generel modernisering. Dette fremgår af den totaløkonomiske analyse, hvor restlevetider af og vedligeholdelsesomkostninger for de forskellige bygningsdele medtages. Det kan også enklere overskues i følgende regneeksempel fra et af husene, hvor der var der konstateret et vedligeholdelses- /udskiftningsbehov for vinduer, tag og varmeanlæg:

Tiltag	Nødvendig investering	Investering til energirenovering
Udskiftning af vinduer	125.000 kr.	184.000 kr.
Tagudskiftning	183.000 kr.	210.500 kr.
Varmeanlæg	50.000 kr.	100.000 kr.
Ialt	358.000 kr.	494.500 kr.

Det fremgår af tabellen, at merprisen for energirenoveringen er 146.500 kr. ud af de 494.500 kr., idet de øvrige udgifter skulle have været afholdt alligevel. På Udbakken investeredes yderligere 340.000 kr. til facadeisolering, ventilation med varmegenvinding og solvarme. Det vil sige, at tilbagebetalingstiden bliver hhv. 21,5 år og 36,9 år, hvis omkostningerne til almindelig vedligeholdelse fratrækkes og ikke fratrækkes i regnestykket. Desuden skal det bemærkes, at ved at

investere i energibesparende foranstaltninger, der reduceres husets varmetab, får man mulighed for at vælge en mindre og dermed billigere varmepumpe til opvarmningen.

Deltagere i EUDP-projektet:

Ballerup Kommune, Cenergia Energy Consultants, SBI, Dansk Byggeri, GENVEX, PRO TEC Vinduer, BATEC, ISOVER, Bolius, Videntcenter for energibesparelser i bygninger

Hjemmeside om projektet: www.balk.dk/klima

Referencer:

[1] BYG-SOL. Energioptimeringsprogram udviklet af Cenergia Energy Consultants. Kan downloades fra www.cenergia.dk.

[2] Ivan Malenkovic. Definition of Main System Boundaries and Performance Figures for Reporting on SHP Systems. IEA Task 44, 28. December 2012.